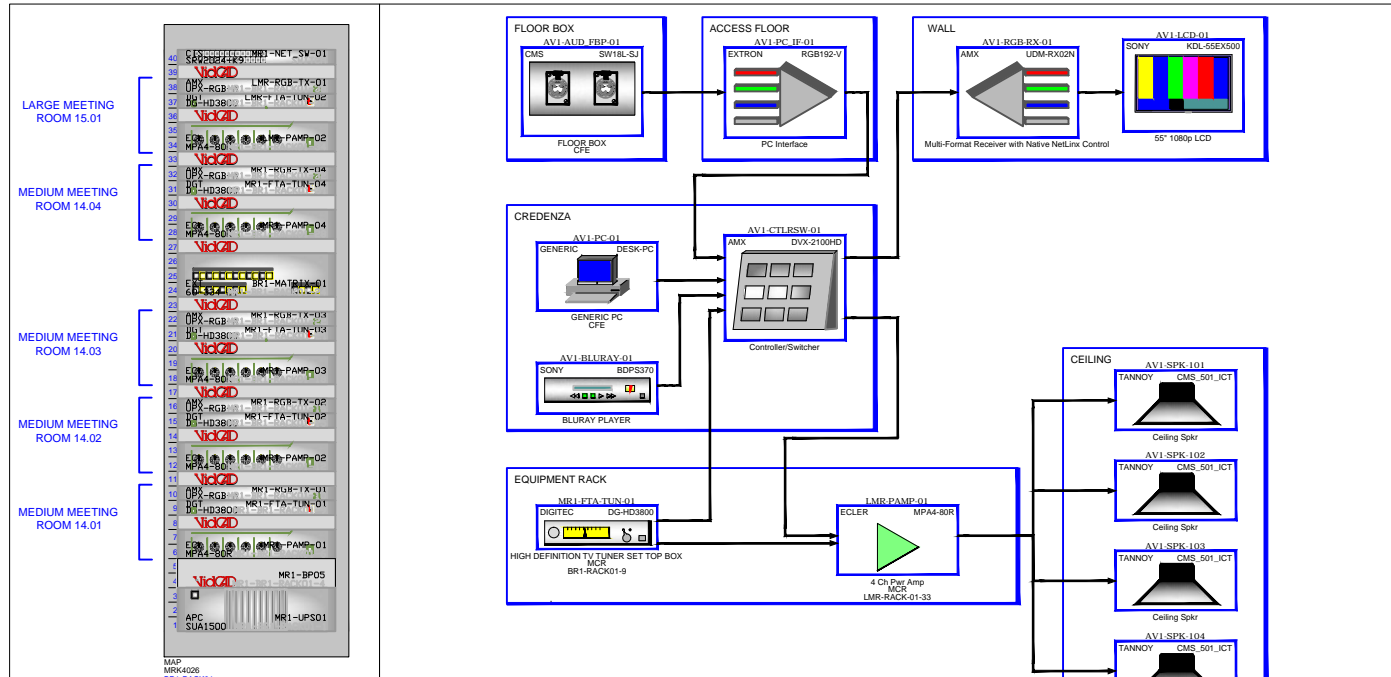


1 REVIT RENDERING
SCALE: 5 73/256" = 1'-0"

2 OFFICE EQUIPMENT ROOM
SCALE: 6 167/256" = 1'-0"



3 2D RACK NEW STYLE
SCALE: 133/256" = 1'-0"

4 MEETING ROOM CONCEPT DRAWING
SCALE: 15/32" = 1'-0"

- VidCAD** General Notes
- DRAWING NOTES:
1. RENDERING COURTESY OF AUTODESK REVIT
 2. OFFICE BUILDING REVIT MODEL COURTESY OF buildingSMART ALLIANCE WITH VIDCAD BIM RACKS
 3. VIDCAD 2D RACK WITH NEW CONTEMPORARY VISUALIZED STYLE
 4. VIDCAD CONCEPTUAL DRAWING

No.	Revision/Issue	Date

FIRM NAME & ADDRESS:

VidCAD

VidCAD LLC
2010 EAST LOHMAN AVE
SUITE 2
LAS CRUCES NM, 88001 USA
(800) VidCAD-8 or (575) 522-0003
PROVIDING DESIGN AND MODELING
SOFTWARE EXCELLENCE OVER 25 YEARS

VidCAD LLC 2011

PROJECT NAME & ADDRESS:

VidCAD 2012 REDBOOK

Project SHOWS:2012 4/12/2012 4/12/2012 Plotted: 4.13.2012 Dr. Walter Black DR. WALTER BLACK, CT Phase: FINAL MStone: 4.15.2012	Sheet TITLE PAGE SHEET NUMBER: TA00-000
--	--

DWG TO PDF.PC3
LANDSCAPE

NO YELLOW.CTB

ANSI EXPAND A (8.50 X 11.00 INCHES)
VIDCAD 2012 REDBOOK

NO YELLOW.CTB

VIDCAD 2012 REDBOOK - TOC.dwg

NO YELLOW.CTB

c:\VidCAD\Projects\vidcad 2012 redbook\vidcad 2012 redbook\vidcad 2012 redbook - TOC.dwg

NO YELLOW.CTB

NO YELLOW.CTB

NO YELLOW.CTB

NO YELLOW.CTB

NO YELLOW.CTB

NO YELLOW.CTB

NO YELLOW.CTB

Sheet List Table

Sheet Number	Sheet Title	Drawing Last Saved By	Drawing Save Date	Sheet Plot
TA0SS-000 GENERAL				
TA000-000	TITLE PAGE	DR. WALTER BLACK	Friday, April 13, 2012 11:07:30 PM	Y
TA000-001	VidCAD 2012 REDBOOK - TOC	DR. WALTER BLACK	Friday, April 13, 2012 9:16:47 PM	Y
TA1SS-000 FLOOR PLANS				
TA101-001	SECURE CLASSROOM FLOOR PLAN	DR. WALTER BLACK	Thursday, April 12, 2012 12:07:38 PM	Y
TA101-002	SECURE CLASSROOM REFLECTED CEILING PLAN	DR. WALTER BLACK	Thursday, April 12, 2012 12:07:38 PM	Y
TA101-003	VIDCAD BIM FLOOR PLAN SAMPLE	DR. WALTER BLACK	Friday, April 13, 2012 10:23:56 PM	Y
TA222-000 ELEVATIONS				
TA201-001	3-D MEETING AND BOARD ROOM RACK ELEVATIONS	DR. WALTER BLACK	Friday, April 13, 2012 8:28:33 PM	Y
TA201-002	2-D MEETING AND BOARD ROOM RACK ELEVATIONS	DR. WALTER BLACK	Friday, April 13, 2012 10:40:44 PM	Y
TA201-003	VIDCAD BIM ELEVATION OF EQUIPMENT ROOM RACKS	DR. WALTER BLACK	Friday, April 13, 2012 10:23:56 PM	Y
TA5SS-000 INSTALL DETAILS				
TA500-001	FLOOR PLAN SYMBOLS	DR. WALTER BLACK	Thursday, April 12, 2012 6:09:40 PM	Y
TA500-002	MASTER DETAIL	DR. WALTER BLACK	Friday, April 13, 2012 8:31:38 PM	Y
TA500-003	MASTER DETAIL	DR. WALTER BLACK	Friday, April 13, 2012 8:31:38 PM	Y
TA500-004	NEW VIDCAD LABEL UTILITY	DR. WALTER BLACK	Friday, April 13, 2012 8:50:53 PM	Y
TA500-005	NEW VIDCAD LABELS	DR. WALTER BLACK	Friday, April 13, 2012 8:50:53 PM	Y
TA500-006	NEW VIDCAD REPORT UTILITY	DR. WALTER BLACK	Friday, April 13, 2012 8:50:53 PM	Y
TA500-007	NEW VIDCAD CABLE CUTLIST REPORT	DR. WALTER BLACK	Friday, April 13, 2012 8:50:53 PM	Y
TA201-004	VIDCAD BIM EQUIPMENT ENTRY FORM	DR. WALTER BLACK	Friday, April 13, 2012 10:23:56 PM	Y
TA6SS-000 CONCEPTS				
TA601-001	LARGE MEETING ROOM AV CONCEPT DIAGRAM	DR. WALTER BLACK	Friday, April 13, 2012 10:35:52 PM	Y
TA6SS-100 VIDEO DIAGRAMS				
TA601-101	LARGE MEETING ROOM AV DIAGRAM	DR. WALTER BLACK	Thursday, April 12, 2012 4:25:36 PM	Y
TA601-102	LARGE MEETING ROOM AV INTERCONNECT	DR. WALTER BLACK	Thursday, April 12, 2012 6:08:18 PM	Y
TA602-103	BROADCAST SERVER DIAGRAM	DR. WALTER BLACK	Friday, April 13, 2012 3:17:56 PM	Y
TA6SS-600 CONTROL DIAGRAMS				
TA602-102	LARGE MEETING ROOM CONTROL SCHEMATIC	DR. WALTER BLACK	Thursday, April 12, 2012 4:35:53 PM	Y
TA9SS-000 3D RENDERINGS				
TA00-000	TA901-001 3D RENDERING OF PROJECT	DR. WALTER BLACK	Friday, April 13, 2012 11:07:30 PM	Y
TA901-002	3D ROOM WITH VIDCAD EQUIPMENT RACKS	DR. WALTER BLACK	Friday, April 13, 2012 11:07:30 PM	Y



General Notes

DRAWING NOTES:
VIDCAD AUTOMATED TEMPLATES CREATE SHEET SETS, DRAWINGS & TABLE OF CONTENTS QUICKLY & EASILY, WITH ALMOST NO TYPING OR DRAFTING

EVEN IF YOU DO NOT USE SHEET SETS, VIDCAD AUTOMATICALLY CREATES DRAWINGS & ENTERS THE COMPANY & PROJECT NAMES, ADDRESS, PHONES, CREATE & PLOT DATA

No.	Revision/Issue	Date

FIRM NAME & ADDRESS:



VidCAD LLC
2010 EAST LOHMAN AVE
SUITE 2
LAS CRUCES NM 88001 USA
(800) VidCAD-8 or (575) 522-0003
PROVIDING DESIGN AND MODELING
SOFTWARE EXCELLENCE OVER 25 YEARS

VidCAD LLC 2011

PROJECT NAME & ADDRESS:

VidCAD 2012 REDBOOK

Project
SHOWS: 2012
4/12/2012
4/12/2012

Plotted: 4.13.2012
Dr. DR. DR. WALTER BLACK
DR. DR. DR. WALTER BLACK
Phase: FINAL
MStone: 4.15.2012

Sheet
VIDCAD 2012
REDBOOK -
TOC
BLACK BLACK
BLACK BLACK CT.
SHEET NUMBER:

SECURE CLASSROOM 103: FLOOR PLAN



VIDCAD LLC
 2010 EAST LOHMAN AVE
 SUITE 2
 LAS CRUCES, NM, USA 88001
 PH: (800) VIDCAD-6 OR (575) 522-0003 FAX: (575) 635-4518
 PROVIDING DESIGN AND MODELING
 SOFTWARE EXCELLENCE OVER 25 YEARS

LEGEND

REF	SYMBOL	DESCRIPTION
AV01		LR BAR SPKR
AV04		NEC PROJECTOR, CEILING, NS
AV09		DRAPER 109" SCRIN, REC, CEILING
C11		IP PORT, WALL
C12		IP/TEL PORT, FLOOR BOX
S03		INFRARED RECEIVER
S03		BIOMETRIC CONTROL, EYE, WALL@50"
S11		BEAM ALARM SENSOR
S15		PANASONIC HD PTZ CAMERA, WALL@90"

BASED UPON INFOCOMM/CEA/CEDIA R10 WG7 FLOOR PLAN SYMBOLS (PROJECTED 2012 RELEASE)

REV	DATE	DESCRIPTION
	4.3.2012	DATE CREATED
REV 1	4.4.2012	ADD FINAL SYMBOLS FROM R10 WG7 STANDARD
REV 2	4.9.2012	ADDED DRAWING NOTES
	4.12.2012	DATE SAVED
	4.13.2012	DATE PLOTTED

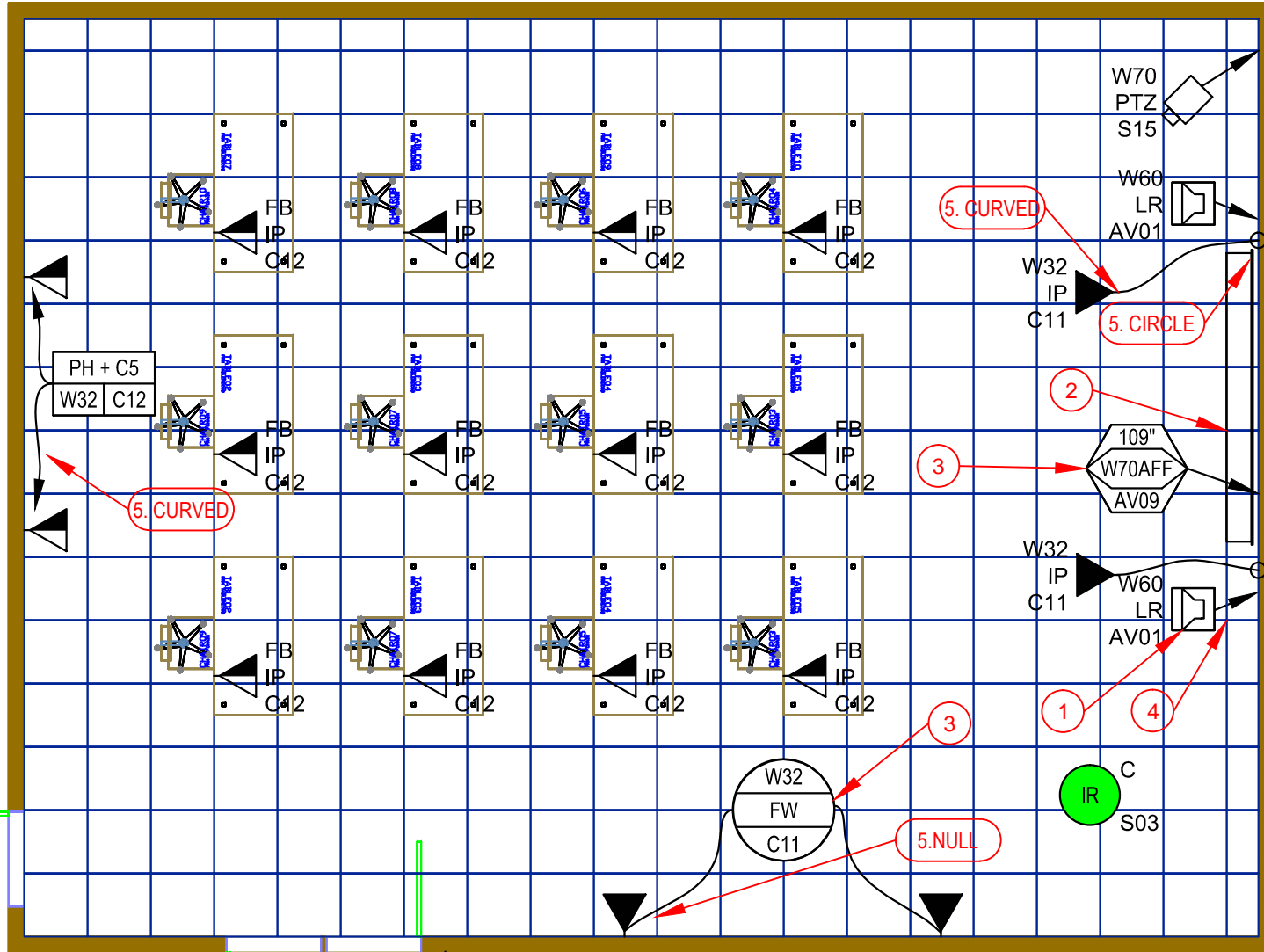
PROJECT NO: SHOWS.2012
 FACILITY NAME: VIDCAD 2012 REDBOOK

PROJ PHASE: FINAL
 MILESTONE: 4.15.2012
 APPROVED: JANINE SOTELO, CEO
 DRAWN BY: DR. WALTER BLACK, CT
 CHECKED BY: DR. WALTER BLACK, CT
 COPYRIGHT: VIDCAD LLC 2011

SHEET NAME: SECURE CLASSROOM FLOOR PLAN

CAD DWG FILE: TA101-001 SECURE CLASSROOM FLOOR PLAN.DWG

SHEET NUMBER: TA101-001



Drawing Notes:

1. THESE ARE THE R10 WG7 BASE SYMBOLS, WITH THE EXCEPTION OF THE SPEAKERS, WHICH ARE BOXED TO INDICATE SPEAKER IS IN A BOX
2. PROJECTION SCREEN IS STRETCHED TO 109" TO SHOW SPACE CONSUMED
3. TAGS ARE USED IN CROWDED AREAS, OR TO SHOW MORE INFORMATION. TAGS HAVE WIPEOUTS TO HIDE ITEMS UNDER THEM
4. LEADERS CAN BE USED TO STANDOFF SOME SYMBOLS
5. THERE ARE 3 LEADER POINTERS ON THIS DRAWING=ARROW, CIRCLE AND NULL. YOU CAN ALSO USE CURVED OR STRAIGHT LEADERS
6. SYMBOLS CAN BE STACKED WHERE MULTIPLE ITEMS GO TO THE SAME LOCATION, MAKING THE AREA CROWDED
7. SYMBOLS EASILY USED TO CREATE DRAWING LEGENDS

ANSI EXPAND A (8.50 X 11.00 INCHES)
 LANDSCAPE

NO YELLOW,CTB

DWG TO PDF.PC3
 FLOOR PLAN/REDBOOK

c:\VidCAD\Projects\vidcad 2012 redbook\TA101-001 SECURE CLASSROOM FLOOR PLAN/REDBOOK

4.3.2012

DR. WALTER BLACK, CT

SECURE CLASSROOM 103: Reflected Ceiling Plan



VIDCAD LLC
 2010 EAST LOHMAN AVE
 SUITE 2
 LAS CRUCES, NM, USA 88001
 PH: (800) VIDCAD-6 OR (575) 522-0003 FAX: (575) 635-4518
 PROVIDING DESIGN AND MODELING
 SOFTWARE EXCELLENCE OVER 25 YEARS

LEGEND

REF	SYMBOL	DESCRIPTION
AV02		ATLAS 8" CLNG SPKR
AV03		ATI GOOSNECK MIKE, CEILING MOUNT
AV04		NEC PROJECTOR, CEILING, NS
AV09		DRAPER 109" SCR.N, REC, CEILING
S03		INFRARED RECEIVER
S11		BEAM ALARM SENSOR

BASED UPON INFOCOMM/CEA/CEDIA R10 WG7 FLOOR PLAN SYMBOLS (PROJECTED 2012 RELEASE)

REV	DATE	DESCRIPTION
	4.3.2012	DATE CREATED
REV 1	4.5.2012	ADDED NEWLY RELEASED MICROPHONE SYMBOL
REV 2	4.9.2012	ADDED DRAWING NOTES
	4.12.2012	DATE SAVED
	4.13.2012	DATE PLOTTED

PROJECT NO: SHOWS.2012
 FACILITY NAME: VIDCAD 2012 REDBOOK

PROJ PHASE: FINAL
 MILESTONE: 4.15.2012
 APPROVED: JANINE SOTELO, CEO
 DRAWN BY: DR. WALTER BLACK, CT
 CHECKED BY: DR. WALTER BLACK, CT
 COPYRIGHT: VIDCAD LLC 2011
 SHEET NAME:

SECURE CLASSROOM
 REFLECTED CEILING PLAN

CAD DWG FILE:
 TA101-001 SECURE CLASSROOM FLOOR PLAN.DWG

SHEET NUMBER:
 TA101-002

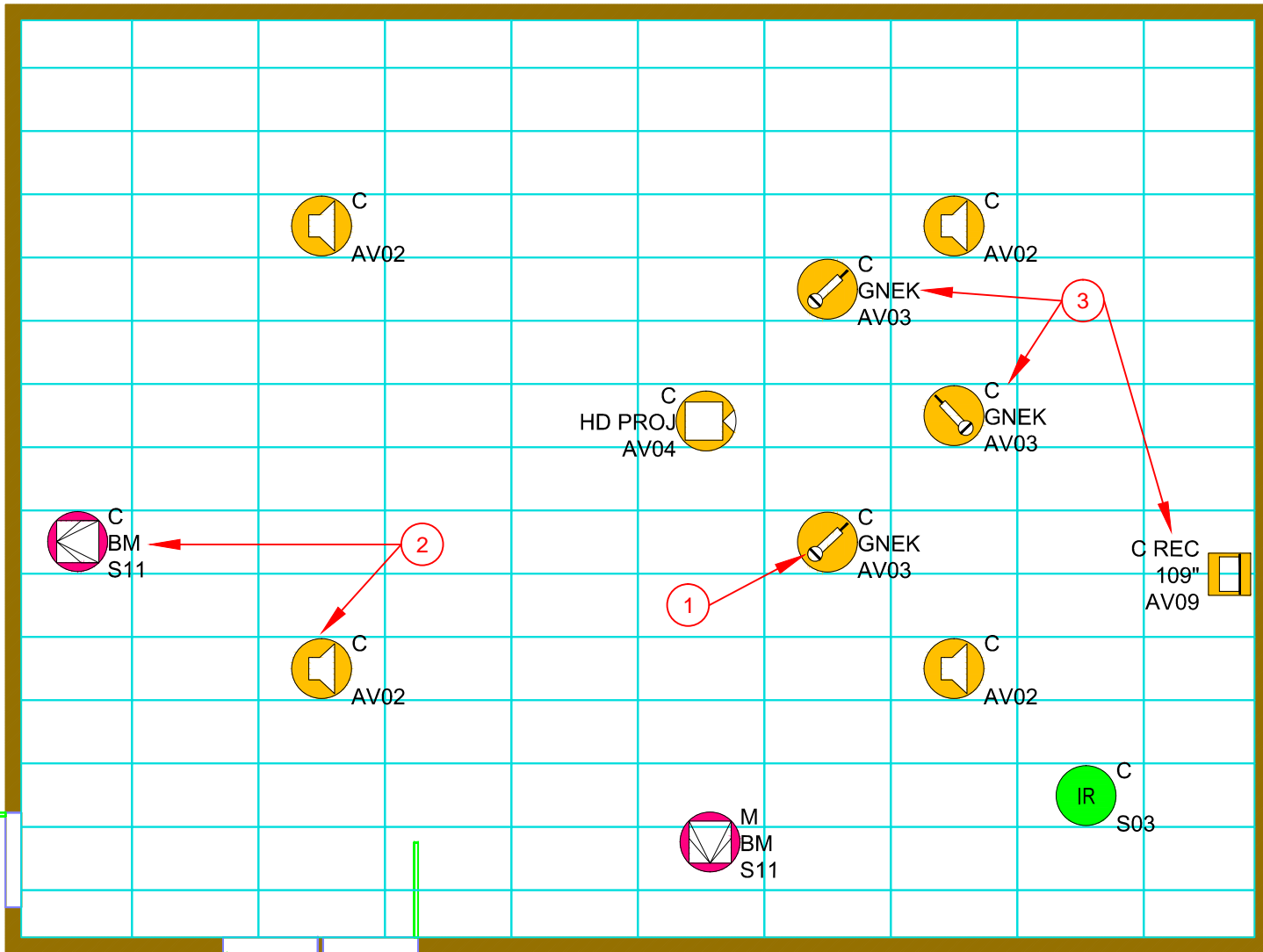
ANSI EXPAND A (8.50 X 11.00 INCHES)
 LANDSCAPE

NO YELLOW, CTB

DWG TO PDF.PC3
 C:\VIDCAD\Projects\vidcad 2012 redbook\TA101-001 SECURE CLASSROOM FLOOR PLAN.DWG\REDBOOK

4.3.2012

DR. WALTER BLACK, CT



DRAWING NOTES:

1. IN THIS LAYOUT, THE SHADED SYMBOLS HAVE BEEN USED WITH CIRCLES TO DENOTE CEILING MOUNT. THIS IS A VARIATION OF THE R10 WG7 STANDARD USED BY MANY GROUPS TO DIFFERENTIATE CEILING SYMBOLS FROM FLOOR PLAN SYMBOLS. SINCE THE R10 WG7 SYMBOLS USE ATTRIBUTES TO DENOTE THE MOUNT, THIS DEVIATION IS NOT ESSENTIAL ANY LONGER, BUT IT CAN BE USED IF DEMANDED BY CLIENTS AND/OR INSTALLERS
2. COLORS DENOTE TYPE (AV, COMM, ENVIRONMENTAL, SECURITY, ETC.)
3. ATTRIBUTES ALWAYS ALIGN WITH THE LAYOUT DIRECTION & CAN BE ON EITHER SIDE

ANSI EXPAND A (8.50 X 11.00 INCHES)
LANDSCAPE

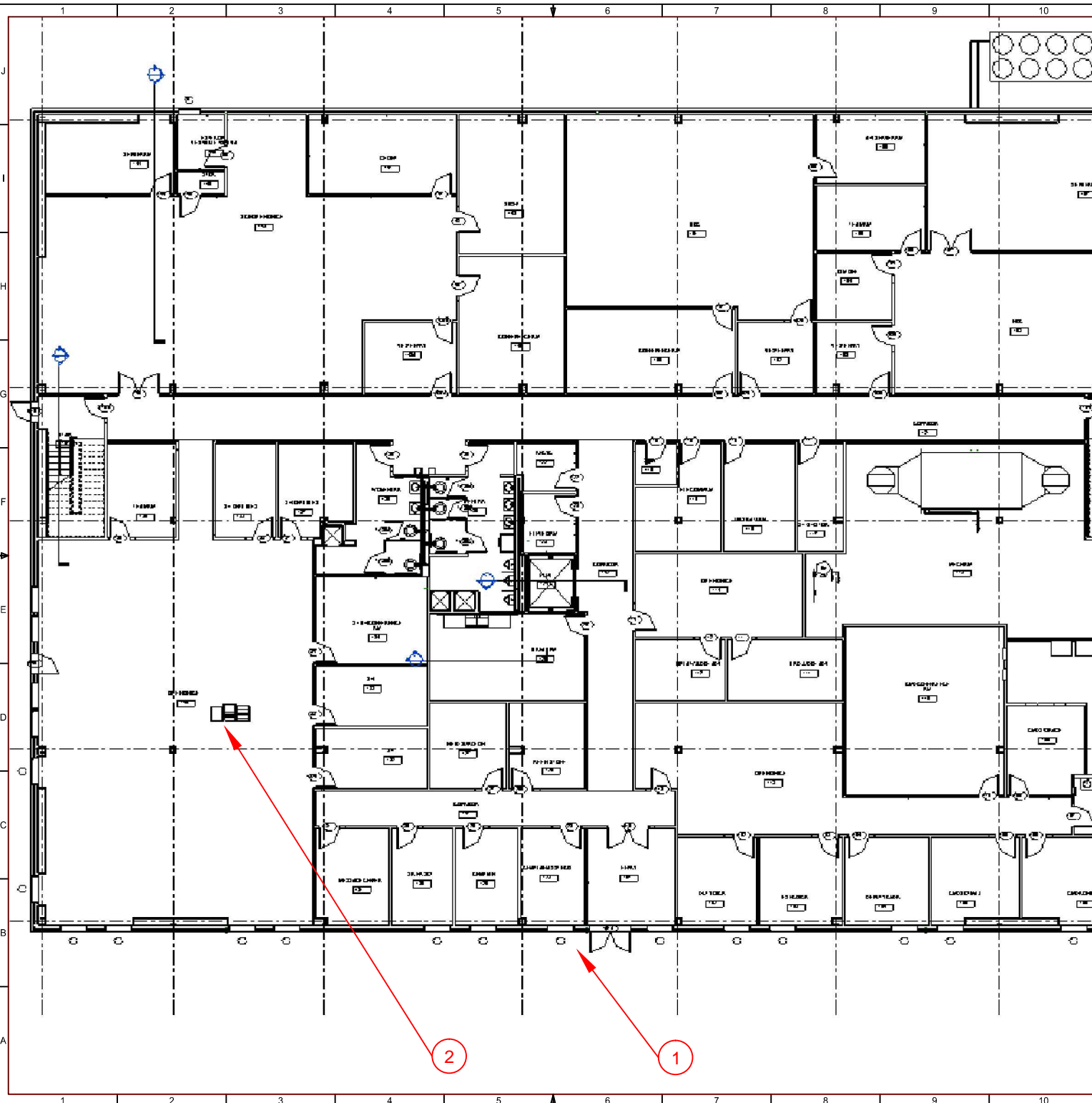
NO YELLOW,CTB

DWG TO PDF.PC3
VIDCAD BIM FLOOR PLAN SAMPLE.ZW6 REDBOOK

c:\VidCAD\Projects\vidcad 2012 redbook\TA101-003 VIDCAD BIM FLOOR PLAN SAMPLE.ZW6 REDBOOK

4.3.2012

DR. WALTER BLACK, CT



VIDCAD LLC
 2010 EAST LOHMAN AVE
 SUITE 2
 LAS CRUCES, NM, USA 88001
 PH: (800) VIDCAD-6 OR (575) 522-0003 FAX: (575) 635-4518
 PROVIDING DESIGN AND MODELING
 SOFTWARE EXCELLENCE OVER 25 YEARS

DRAWING NOTES:
 1. FIRST FLOOR PLAN CREATED IN AUTODESK REVIT
 2. VIDCAD BIM CREATED THESE RACKS IN THE EQUIPMENT ROOM IN ABOUT 1 MINUTE PER RACK, INCLUDING ALL THE FAMILIES FOR THE RACK AND RACK EQUIPMENT. RACK INFORMATION COMES FROM THE VIDCAD PROJECT, SO ANY 2D OR 3D VIDCAD RACK & ITS EQUIPMENT CAN BE IMPORTED. IT IS ALSO POSSIBLE TO CREATE THE RACK & ADD EQUIPMENT DIRECTLY INSIDE REVIT, USING THE VIDCAD EQUIPMENT TABLE

REVIT OFFICE MODEL COURTESY OF buildingSMART alliance

REV	DATE	DESCRIPTION
	4.3.2012	DATE CREATED
REV 1	4.4.2012	ADDED DETAILS LAYOUTS
REV 2	4.9.2012	ADDED DRAWING NOTES
	4.13.2012	DATE SAVED
	4.13.2012	DATE PLOTTED

PROJECT NO: SHOWS.2012
 FACILITY NAME:
 VIDCAD 2012 REDBOOK
 PROJ PHASE: FINAL
 MILESTONE: 4.15.2012
 APPROVED: JANINE SOTELO, CEO
 DRAWN BY: DR. WALTER BLACK, CT
 CHECKED BY: DR. WALTER BLACK, CT
 COPYRIGHT: VIDCAD LLC 2011
 SHEET NAME:
 VIDCAD BIM FLOOR PLAN
 SAMPLE
 CAD DWG FILE:
 TA101-003 VIDCAD BIM FLOOR PLAN
 SAMPLE.DWG
 SHEET NUMBER:
 TA101-003

ANSI EXPAND A (8.50 X 11.00 INCHES)
LANDSCAPE

NO YELLOW,CTB

NO YELLOW,CTB

DWG TO PDF.PC3
ROOM:RACK01 REEB001BNS.dwg

NO YELLOW,CTB

NO YELLOW,CTB

NO YELLOW,CTB

NO YELLOW,CTB

NO YELLOW,CTB

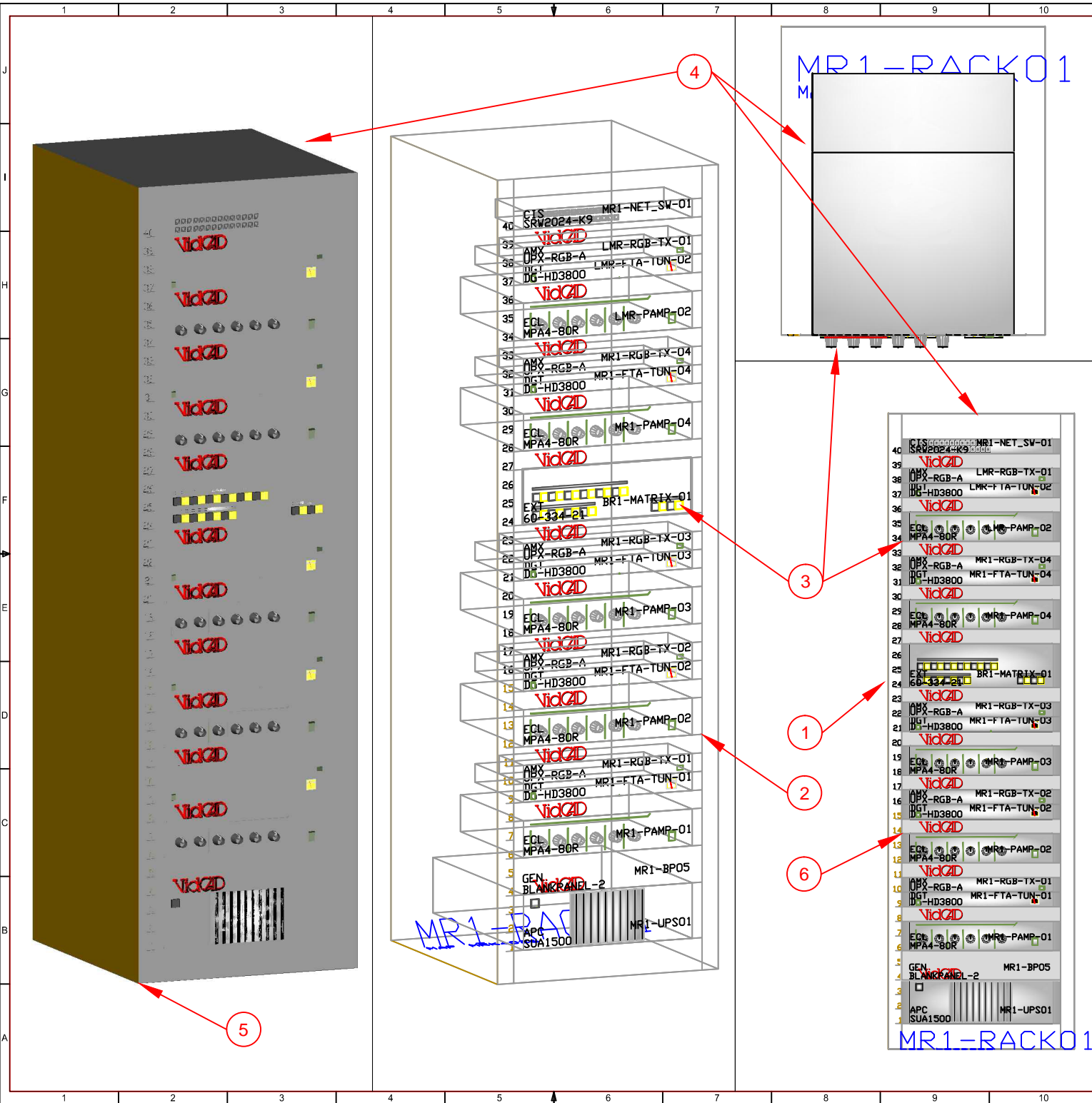
NO YELLOW,CTB

NO YELLOW,CTB

NO YELLOW,CTB

NO YELLOW,CTB

NO YELLOW,CTB



VIDCAD LLC
 2010 EAST LOHMAN AVE
 SUITE 2
 LAS CRUCES,NM,USA 88001
 PH:(800) VIDCAD-6 OR (575) 522-0003 FAX:(575) 635-4518
 PROVIDING DESIGN AND MODELING
 SOFTWARE EXCELLENCE OVER 25 YEARS

DRAWING NOTES:

1. NEW VISUALIZED RACK AND EQUIPMENT STYLE LOOKS REALISTIC & CONTEMPORARY
2. TURN OFF VISUALIZED STYLE IN 1 CLICK
3. IMPROVED 3D DETAILS SUPPORT RACK & EQUIPMENT VISUALIZED STYLE
4. WITH VIDCAD 3D, ONE RACK CAN APPEAR IN FRONT, SIDE, TOP OR REAR VIEWS WITH NO ADDITIONAL DRAFTING
5. VIDCAD SUPPORTS SHADING OR RENDERING
6. NEW BLANK PANELS WITH LOGO WHICH CAN BE CHANGED TO YOUR COMPANY LOGO IN 1 CLICK
7. VIDCAD RACKS CREATED IN AUTOCAD CAN BE INSTANTLY RECREATED IN AUTODESK REVIT MEP 2012 OR 2013

DRAWING COURTESY OF PETER BLACKMORE
 AVDEC PTY LTD, DARLINGHURST AUSTRALIA

REV	DATE	DESCRIPTION
	4.3.2012	DATE CREATED
REV 1	4.4.2012	ADDED DETAILS AND OUTLINES
REV 2	4.9.2012	ADDED DRAWING NOTES
	4.13.2012	DATE SAVED
	4.13.2012	DATE PLOTTED

PROJECT NO: SHOWS.2012
 FACILITY NAME:
 VIDCAD 2012 REDBOOK

PROJ PHASE: FINAL
 MILESTONE: 4.15.2012
 APPROVED: JANINE SOTELO, CEO
 DRAWN BY: DR. WALTER BLACK, CT
 CHECKED BY: DR. WALTER BLACK, CT
 COPYRIGHT: VIDCAD LLC 2011

SHEET NAME:
 3-D MEETING AND BOARD
 ROOM RACK ELEVATIONS

CAD DWG FILE:
 TA201-001 3-D MEETING AND BOARD ROOM
 RACK ELEVATIONS.DWG

SHEET NUMBER:
 TA201-001

ANSI EXPAND A (8.50 X 11.00 INCHES)
LANDSCAPE

NO YELLOW,CTB

DRWG TO PDF.PC3
c:\VidCAD\Projects\Shows\2012\redbook\TA201-002 2-D MEETING AND BOARD ROOM RACK ELEVATIONS.dwg

4.3.2012

DR. WALTER BLACK, CT



VIDCAD LLC
2010 EAST LOHMAN AVE
SUITE 2
LAS CRUCES,NM,USA 88001
PH:(800) VIDCAD-6 OR (575) 522-0003 FAX:(575) 635-4518
PROVIDING DESIGN AND MODELING
SOFTWARE EXCELLENCE OVER 25 YEARS

- DRAWING NOTES:**
1. NEW VidCAD LITE 2D RACK PROGRAM CREATES ANY RACK FROM THE KEY DIMENSIONS IN FRONT, TOP OR REAR VIEWS
 2. NEW VISUALIZED RACK AND EQUIPMENT STYLE IS BUILT AUTOMATICALLY. THIS CONTEMPORARY REALISTIC LOOK THAT IS EASIER TO USE THAN RENDERING
 3. HOWEVER, YOU CAN TURN OFF VISUAL STYLE WITH 1 CLICK
 4. NEW BLANK PANELS WITH LOGO WHICH CAN BE CHANGED TO YOUR COMPANY LOGO IN 1 CLICK
 5. NEW DRAWING NOTE BRACKETS
 6. IMPROVED 3D DETAILS SUPPORTING RACK AND EQUIPMENT VISUALIZED STYLE

DRAWING COURTESY OF PETER BLACKMORE
AVDEC PTY LTD, DARLINGHURST AUSTRALIA

REV	DATE	DESCRIPTION
	4.3.2012	DATE CREATED
REV 1	4.4.2012	ADDED DETAILS LAYOUTS
REV 2	4.9.2012	ADDED DRAWING NOTES
	4.13.2012	DATE SAVED
	4.13.2012	DATE PLOTTED

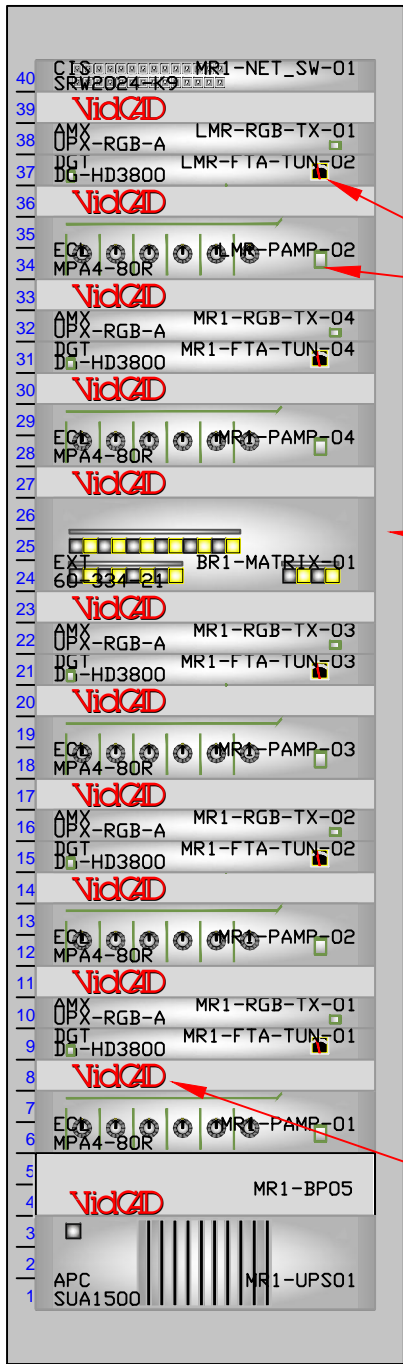
PROJECT NO: SHOWS.2012
FACILITY NAME:
VIDCAD 2012 REDBOOK

PROJ PHASE: FINAL
MILESTONE: 4.15.2012
APPROVED: JANINE SOTELO, CEO
DRAWN BY: DR. WALTER BLACK, CT
CHECKED BY: DR. WALTER BLACK, CT
COPYRIGHT: VIDCAD LLC 2011

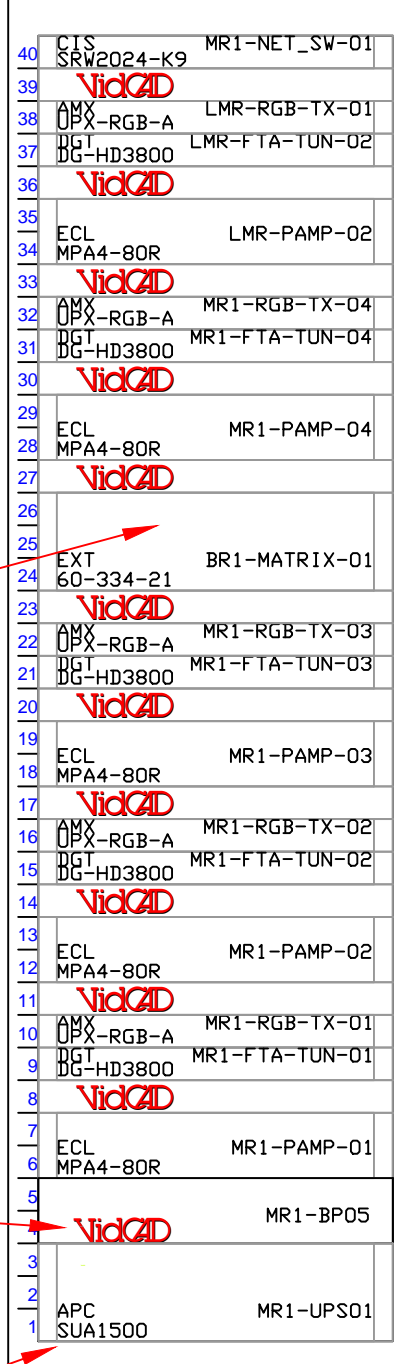
SHEET NAME:
2-D MEETING AND BOARD
ROOM RACK ELEVATIONS

CAD DWG FILE:
TA201-002 2-D MEETING AND BOARD ROOM
RACK ELEVATIONS.DWG

SHEET NUMBER:
TA201-002



MAP
MRK4026
BR1-RACK01



MAP
MRK4026
BR1-RACK01

LARGE MEETING
ROOM 15.01

MEDIUM MEETING
ROOM 14.04

MEDIUM MEETING
ROOM 14.03

MEDIUM MEETING
ROOM 14.02

MEDIUM MEETING
ROOM 14.01

LARGE MEETING
ROOM 15.01

MEDIUM MEETING
ROOM 14.04

MEDIUM MEETING
ROOM 14.03

MEDIUM MEETING
ROOM 14.02

MEDIUM MEETING
ROOM 14.01

5

6

2

3

4

1

ANSI EXPAND A (8.50 X 11.00 INCHES)
LANDSCAPE

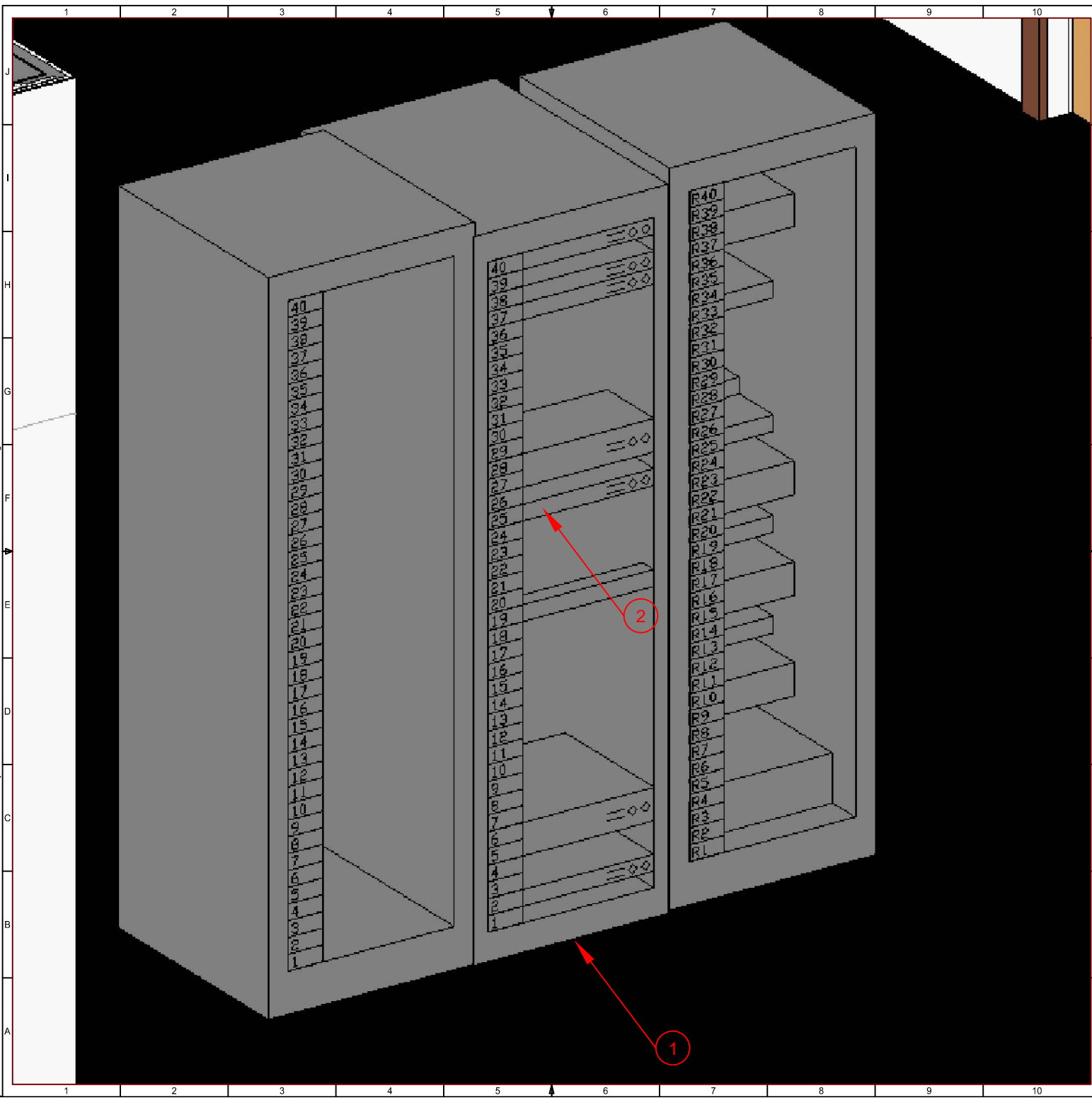
NO YELLOW,CTB

DWG TO PDF.PC3
SHADFACE/2002 REDBOOK

c:\VidCAD\Projects\vidcad 2012 redbook\TA101-003 VIDCAD BIM FLOOR PLAN

4.3.2012

DR. WALTER BLACK, CT



VIDCAD LLC
2010 EAST LOHMAN AVE
SUITE 2
LAS CRUCES, NM, USA 88001
PH: (800) VIDCAD-6 OR (575) 522-0003 FAX: (575) 635-4518
PROVIDING DESIGN AND MODELING
SOFTWARE EXCELLENCE OVER 25 YEARS

DRAWING NOTES:
1. VIDCAD BIM CREATED THESE RACKS IN THE EQUIPMENT ROOM IN ABOUT 1 MINUTE PER RACK, INCLUDING ALL THE FAMILIES FOR THE RACK AND RACK EQUIPMENT. RACK INFORMATION COMES FROM THE VIDCAD PROJECT, SO ANY 2D OR 3D VIDCAD RACK & ITS EQUIPMENT CAN BE IMPORTED. IT IS ALSO POSSIBLE TO CREATE THE RACK & ADD EQUIPMENT DIRECTLY INSIDE REVIT, USING THE VIDCAD EQUIPMENT TABLE
2. EACH VIDCAD-CREATED FAMILY IS SMALL, SO IT WILL NOT INTERFERE WITH SCOPE OF THE REVIT PROJECT

VIEW THE AUTOCAD VERSION IN SHEET TA201-001

REVIT OFFICE MODEL COURTESY OF buidngSMART alliance

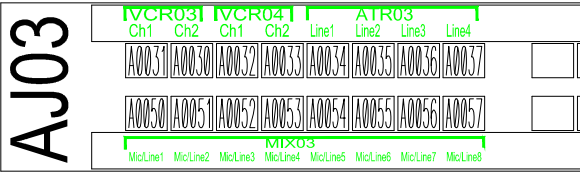
REV	DATE	DESCRIPTION
	4.3.2012	DATE CREATED
REV 1	4.4.2012	ADDED DETAILS LAYOUTS
REV 2	4.9.2012	ADDED DRAWING NOTES
	4.13.2012	DATE SAVED
	4.13.2012	DATE PLOTTED

PROJECT NO: SHOWS.2012
FACILITY NAME:
VIDCAD 2012 REDBOOK
PROJ PHASE: FINAL
MILESTONE: 4.15.2012
APPROVED: JANINE SOTELO, CEO
DRAWN BY: DR. WALTER BLACK, CT
CHECKED BY: DR. WALTER BLACK, CT
COPYRIGHT: VIDCAD LLC 2011
SHEET NAME:
VIDCAD BIM ELEVATION OF
EQUIPMENT ROOM RACKS
CAD DWG FILE:
TA101-003 VIDCAD BIM FLOOR PLAN
SAMPLE.DWG

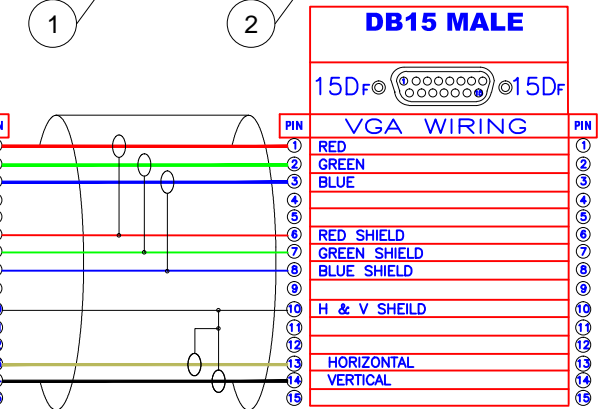
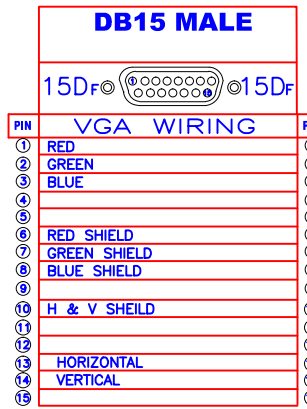
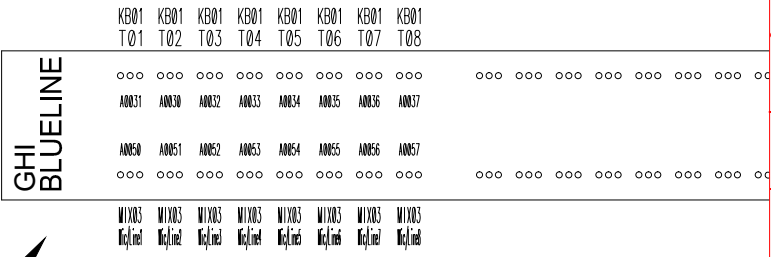
SHEET NUMBER:
TA201-003

1: AUDIO-VIDEO FLOOR PLAN SYMBOLS									
Intercom station (IC)	Remote AV Source (R-AV)	Projection Screen (SCRN)	Speaker (SPKR)	Video Camera (CAM)	Video Display (VMON) (TV)	Video Projector (PROJ)			
2: COMMUNICATIONS FLOOR PLAN SYMBOLS									
Antenna (ANT)	CPU/Server (CPU) (SVR)	Data Port (DAT)	Demarcation for all Services (DEMARC)	Dish Antenna (DISH) (SAT)	Fax/Printer/Copier (FAX) (PRN)	Keyboard (KYBD)	Keypad (KPAD)	Miscellaneous Control Port (CTRL)	Miscellaneous Port
2: COMMUNICATIONS FLOOR PLAN SYMBOLS						6: CENTRAL VACUUM FLOOR PLAN SYMBOLS			
Phone and Data Port	Phone Port (TEL)	RF Repeater or Access Point (WAP)	Wired Repeater/Processor		Vacuum power unit (VAC)	Vacuum Inlet (VACIN)	Vacuum Toe-kick inlet (VACTK)		
5: CONTROL FLOOR PLAN SYMBOLS									
Button	Control Sensor	Control Switch (SW)	Joystick Controller (JOY)	Keyboard (KYBD)	Keypad (KPAD)	Touch panel (TPAN)	Video Controller with Touch Pad (VCPAD)	Volume Control (VOL)	
8: ELECTRICAL FLOOR PLAN SYMBOLS									
Switch (SW)	Switch, Ceiling Mounted Pull	Duplex Emergency Pwr (EMER) (DX)	Duplex Ground Fault (GFC)	Receptacle, Duplex (DX)	Receptacle, Quadraplex (QX)	Receptacle, Single	Receptacle, Single with Switch	Receptacle, special (SPCL)	Receptacle, Switched Duplex
8: ELECTRICAL POWER AND ALTERNATIVE ENERGY FLOOR PLAN SYMBOLS									
Battery (BAT)	Charge Controller (CCT)	Generator, Power (GEN)	Inverter (INVR)	Photovoltaic Array (PV)	Surge Voltage Protector (TVSS)	Uninterruptible Power Supply (UPS)	Vehicle Charge Point (VCP)	Wind Turbine Generator (WG)	
7. FURNITURE AND FURNISHINGS FLOOR PLAN SYMBOLS									
Curtain (CURT)	Lifts/Mounts - Down (LIFT)	Lifts/Mounts - Up (LIFT)	Masking Screen (MASK)	Rack or Head end (RK)	Seat Actuator (SEAT ACTR)	Shade (SHADE)	Theater Seat (SEAT) (TSEAT)		
3: ELECTRONIC SAFETY AND SECURITY FLOOR PLAN SYMBOLS									
360 Detector (DTK)	Audio Listening Device (SPKR)	Biometric Control	Button	Card Reader	Control Panel (CP)	Glass Break Sensor (GBRK)	Glass Break Sensor (GBRK)	Keypad (KPAD)	Switch (SW)
3: SAFETY AND SECURITY				4: ENVIRONMENTAL FLOOR PLAN SYMBOLS					
Vehicle Sensor (VEH)	Video Camera (CAM)	Humidistat (H)	Humidity Sensor (HS)	General Environmental Sensor	Temperature and Humidity Sensor (THS)	Temperature Sensor (TS)	Thermostat and Humidistat (TH)	Thermostat (T)	
0: GENERIC FLOOR PLAN SYMBOLS									
Generic Box w/ Centered Technology	Generic Box w/ 3 Char Centered Technology	Generic Box Symbol	Generic Circle w/ Centered Technology	Generic Circle w/ 3 Char Centered Technology	Generic Circle Symbol	Generic Triangle w/ Centered Technology	Generic Triangle Symbol		
0: GENERIC TAG FLOOR PLAN SYMBOLS									
Rectangle Tag Symbol	Rectangle Tag Symbol w/ Small Technology	Circle Tag Symbol	Circle Tag Symbol w/ Small Technology	Hexagonal Tag Symbol	Hexagonal Tag Symbol w/ Small Technology				
							 CEA/CETIA/InfoComm Group PREPARED BY DR. WALTER BLACK, CTO, VIDCAD LLC SYMBOLS INCLUDED IN VIDCAD 4 SHEET & DRAWING NAME R10 WG7 FLOOR PLAN SYMBOLS		

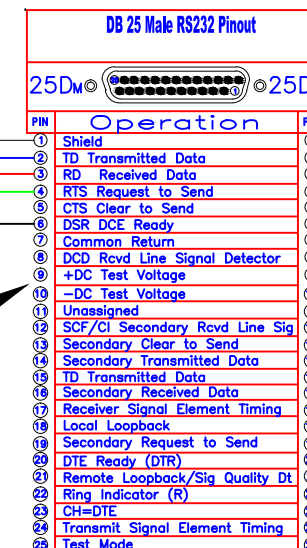
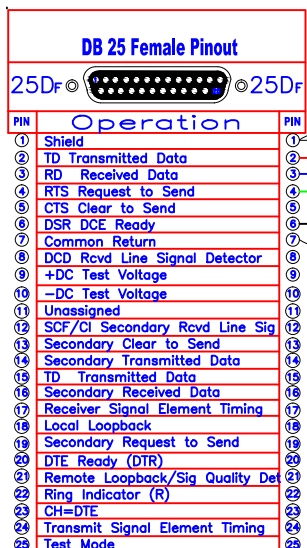
DWG TO PDF.PC3 LANDSCAPE ANSI EXPAND A (8.50 X 11.00 INCHES) NO YELLOW CTB 12/14/2011 c:\vncad\Projects\vidcad 2012 redbook\TA500-001 FLOOR PLAN SYMBOLS.dwg\IDCAD 2012 REDBOOK



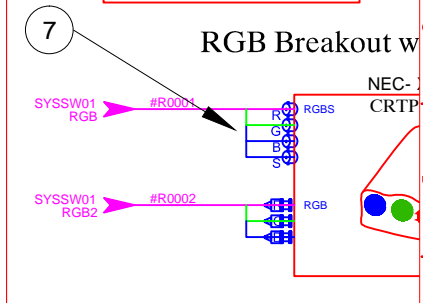
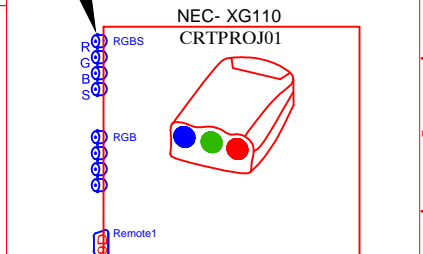
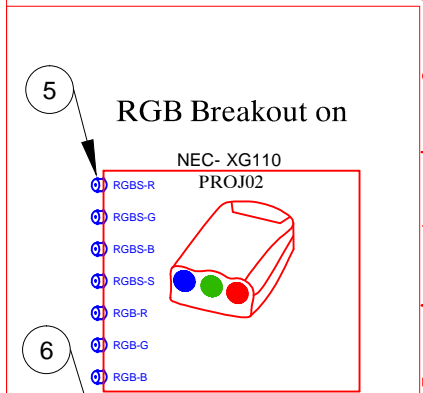
D1 Ghilmetti Jack Designation Strip
SCALE: 6" = 1'-0"



D2 VGA HD15M to HD15M
SCALE: 3/4" = 1'-0"



D3 DB25 Pinout Sample using VidCAD Connector Details
SCALE: 3/4" = 1'-0"



D4 RGB Breakout
SCALE: 1" = 1'-0"

VidCAD General Notes

DRAWING NOTES:

1. JACK PANEL FRONT CREATED INSTANTLY (BRACKETS OPTIONAL). VIDCAD HANDLES UP TO 6 ROWS OF 96 JACKS, WITH FULLY CUSTOMIZABLE JACK I/O NAMING. THUS, YOU CAN SPREAD A JACK OVER MULTIPLE RACKS FOR A 6 X 288 JACK, AS IS COMMON ON SPORTS OR PRODUCTION TRUCKS
2. REAR JACKS & KRONE VIEWS FOR MANY INDUSTRY STANDARD JACKS
3. DETAIL PINOUT DIAGRAMS AVAILABLE FOR MANY COMMON CONNECTORS
4. VIDCAD PROVIDES MANY WAYS TO DOCUMENT BREAKOUT CONNECTORS
5. SINGLE I/O FOR EACH CONNECTOR AVAILABLE WITH 1 CLICK
6. SINGLE CONNECTION BUT SHOWS AS MULTIPLE CONNECTORS, SO ONLY 1 CABLE IS DOCUMENTED
7. SINGLE CONNECTION WITH MULTIPLE CONNECTORS & COLOR CODING. THIS IS EASIEST FOR MOST OPERATORS & MAINTENANCE PERSONNEL TO VISUALIZE
- 8 THIS IS VIDCAD'S STYLE 3 CONTEMPORARY DRAWING TEMPLATE

No.	Revision/Issue	Date

FIRM NAME & ADDRESS:



Company Logo

VidCAD LLC
2010 EAST LOHMAN AVE
SUITE 2
LAS CRUCES NM 88001 USA
(800) VidCAD-8 or (575) 522-0003
PROVIDING DESIGN AND MODELING
SOFTWARE EXCELLENCE OVER 25 YEARS

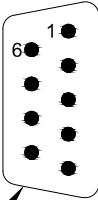
VidCAD LLC 2012

PROJECT NAME & ADDRESS:

VidCAD 2012 REDBOOK

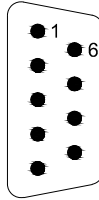
Project SHOWS:2012 4.12.2012 4.13.2012 Plotted: 4.13.2012 Dr. Walter Black DR. WALTER BLACK, CT Phase: FINAL MStone: 4.15.2012	Sheet TA500-002 MASTER DETAIL.DWG SHEET NUMBER: TA500-002
--	--

DB9 Male Reverse Through RS-232



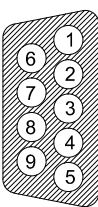
- 1. DCD Data Carrier Detect
- 2. TD Transmitted Data
- 3. RD Received Data
- 4. DTR Data Terminal Ready
- 5. Common Signal Ground
- 6. DSR Data Set Ready
- 7. RTS Request to Send
- 8. CTS Clear to Send
- 9. RI Ring Indicator

DB9 Male Reverse Through RS-232



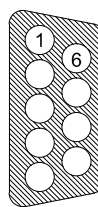
- 1. DCD Data Carrier Detect
- 2. TD Transmitted Data
- 3. RD Received Data
- 4. DTR Data Terminal Ready
- 5. Common Signal Ground
- 6. DSR Data Set Ready
- 7. RTS Request to Send
- 8. CTS Clear to Send
- 9. RI Ring Indicator

DB9 Female Straight Through RS-232



- 1. DCD Data Carrier Detect
- 2. RD Received Data
- 3. TD Transmitted Data
- 4. DTR Data Terminal Ready
- 5. Common Signal Ground
- 6. DSR Data Set Ready
- 7. RTS Request to Send
- 8. CTS Clear to Send
- 9. RI Ring Indicator

DB9 Female Straight Through RS-232



- 1. DCD Data Carrier Detect
- 2. RD Received Data
- 3. TD Transmitted Data
- 4. DTR Data Terminal Ready
- 5. Common Signal Ground
- 6. DSR Data Set Ready
- 7. RTS Request to Send
- 8. CTS Clear to Send
- 9. RI Ring Indicator

DB9 DETAIL

SCALE: 1:2

KRN 6036

VCR03	Ch1	J0101	KB01
VCR03	Ch2	J0102	KB01
VCR04	Ch1	J0103	KB01
VCR04	Ch2	J0104	KB01
ATR03	Line1	J0105	KB01
ATR03	Line2	J0106	KB01
ATR03	Line3	J0107	KB01
ATR03	Line4	J0108	KB01

KRN 6036

KA01	B01	J0101	AJ03
KA01	B02	J0102	AJ03
KA01	B03	J0103	AJ03
KA01	B04	J0104	AJ03
KA01	B05	J0105	AJ03
KA01	B06	J0106	AJ03
KA01	B07	J0107	AJ03
KA01	B08	J0108	AJ03

VidCAD provides quick export tools to create legend reports in the drawings via the clipboard

Krone Jumper Cable List:

CABLE#	SOURCE	OUT	DEST	INPUT
J0101	KA01	B01	KB01	B01
J0102	KA01	B02	KB01	B02
J0103	KA01	B03	KB01	B03
J0104	KA01	B04	KB01	B04
J0105	KA01	B05	KB01	B05
J0106	KA01	B06	KB01	B06
J0107	KA01	B07	KB01	B07
J0108	KA01	B08	KB01	B08

KA01

KB01

KRONE JACK PANEL SAMPLE

SCALE: 1:2.5

VidCAD General Notes

DRAWING NOTES:

- DB9 MALE IN WITH PINOUTS
- DB9 MALE OUT WITH PINOUTS
- DB9 FEMALE IN WITH PINOUTS
- DB9 FEMALE OUT WITH PINOUTS

VIDCAD DOCUMENTS KRONES & LABELS THEM CORRECTLY FOR INPUT OR OUTPUT ROWS. HERE ARE SOME DETAIL REPORTS ON KRONES

- KRONE INPUT FRAME
- KRONE OUTPUT FRAME
- KRONE JUMPER TABLE EXPORTED FROM VIDCAD REPORTER

No.	Revision/Issue	Date

FIRM NAME & ADDRESS:

Company Logo

VidCAD LLC
2010 EAST LOHMAN AVE
SUITE 2
LAS CRUCES NM 88001 USA
(800) VidCAD-8 or (575) 522-0003
PROVIDING DESIGN AND MODELING
SOFTWARE EXCELLENCE OVER 25 YEARS

VidCAD LLC 2012

PROJECT NAME & ADDRESS:

VIDCAD 2012 REDBOOK

Project SHOWS: 2012 4.12.2012 4.12.2012 Plotted: 4.13.2012 Dr. Walter Black DR. WALTER BLACK, CT Phase: FINAL MStone: 4.15.2012	Sheet Master Detail 2 SHEET NUMBER: TA500-003
--	--

DWG TO PDF.PCS LANDSCAPE
 ANSI EXPAND A (6.50 X 11.00 INCHES)
 NO YELLOW.CTB
 c:\VidCAD\Projects\vidcad 2012 redbook\TA500-004 NEW VIDCAD LABEL UTILITY.dwg
 4-13-2012
 DR. WALTER BLACK, CT

VidCAD Reporter - BETA VERSION

File Item Tools Help

- Reports
 - Report 1 - Cable List
 - Report 2 - Cable List with Rack Information
 - Report 3 - Connector Bill of Materials
 - Report 10 - Master Error Log
 - Report 5 - Equipment List
 - Report 6 - Equipment List with Rack Info
 - Report 8 - Equipment Error Log
 - Report 9 - Cable Error Log
- Labels
 - Tyton
 - TAG 10L-105
 - Brady
 - THT-9-427-10
- Exports
 - Equipment Test Export
 - Cable Test Export

Cable Number	Cable Source	Cable Destination
DAT0001	STOR-ARRY01>Fibre1	FIBRESWITCH01
DAT0002	STOR-ARRY02>Fibre1	FIBRESWITCH01
DAT0003	STOR-ARRY03>Fibre1	FIBRESWITCH01
DAT0004	STOR-ARRY04>Fibre1	FIBRESWITCH01
DAT0005	FIBRESWITCH01>Fibre5	SERVER01
DAT0006	FIBRESWITCH01>Fibre6	SERVER01
DAT0007	SERVER01>E.NET1	SWITCH01
DAT0008	SERVER01>E.NET2	SWITCH01
DAT0009	SWITCH01>ENET.01	CPU01
DAT0010	SWITCH01>ENET.02	CPU02
DAT0011	SWITCH01>ENET.03	CPU03
DAT0012	SWITCH01>ENET.04	CPU04
DAT0013	SWITCH01>ENET.05	CPU05
DAT0014	SWITCH01>ENET.06	CPU06
IP0001	NAS101>ENET1	SWITCH101
IP0008	SWITCH101>ENET.01	WP-01
IP0009	WP-01>AF1	CPU101
IP0010	SWITCH101>ENET.02	WP-01
IP0011	WP-01>BF1	CPU102
RG0005	R1-VCP02>SVHS	R1-ROUTER01
RG0006	R1-VCP01>SVHS	R1-ROUTER01
VJP01A01	DCCU01>DGV1	VJP01
VJP01A02	DCCU02>DGV1	VJP01
VJP01B01	VJP01>B1	DVDA01
VJP01B02	VJP01>B2	DVDA02

Version 1.0

Refresh All None Sort Filter Update Preview

Page 1 of 9

- 1
- 2
- 3
- 4
- 5
- 6
- 7

DRAWING NOTES:

- NEW VIDCAD REPORT UTILITY PROVIDES FLEXIBLE, CUSTOMIZABLE YET SIMPLE LABEL AND REPORT CREATION
- SELECT THE LABEL YOU WANT TO USE
- VIEW THE CABLES IN THE PROJECT IN GRID FORMAT
- CREATE FILTERS AS NEEDED TO PRINT THE LABELS YOU WANT (E.G., ALL CABLES EDITED WITHIN DATE RANGE OR CABLES IN A ROOM OR RACK)
- UPDATE THE PREVIEW TO SEE THE LABELS
- NEVER WASTE ANOTHER LABEL IF YOU CLICK ON THE START HERE BUTTON TO SELECT THE NEXT UNUSED LABEL ON YOUR SHEET
- PRINT TO LABEL PRINTER OR PDF



VIDCAD LLC

2010 EAST LOHMAN AVE
 SUITE 2
 LAS CRUCES, NM, USA 88001
 PROVIDING DESIGN AND MODELING SOFTWARE EXCELLENCE OVER 25 YEARS

COPYRIGHT: VIDCAD LLC 2012

PROJECT: SHOWS.2012		CLIENT NAME and ADDRESS: VIDCAD 2012 REDBOOK	
4.13.2012	DATE CREATED	SIZE SHEET & DRAWING NAME A NEW VIDCAD LABEL UTILITY	
SAVE DATE 4.13.2012		DRAWN BY: DR. WALTER BLACK, CT	
SCALE	1:12	ALL RIGHTS RESERVED	SHEET NO. TA500-004

TA500-004 NEW VIDCAD LABEL UTILITY.DWG

A001 BR-AUD_FBP-01>OUTPUT
 A001 BR-I/F-01
 A001 BR-AUD_FBP-01>OUTPUT
 A001 BR-I/F-01

A001 BR-AUD_FBP-01>OUTPUT
 A001 BR-I/F-01
 A001 BR-AUD_FBP-01>OUTPUT
 A001 BR-I/F-01

A002 BR-AUD_FBP-02>OUTPUT
 A002 BR-I/F-02
 A002 BR-AUD_FBP-02>OUTPUT
 A002 BR-I/F-02

A002 BR-AUD_FBP-02>OUTPUT
 A002 BR-I/F-02
 A002 BR-AUD_FBP-02>OUTPUT
 A002 BR-I/F-02

A003 BR-I/F-01>L/R-AUD
 A003 BR-AV_MATRIX-01
 A003 BR-I/F-01>L/R-AUD
 A003 BR-AV_MATRIX-01
 DRk:21

A003 BR-I/F-01>L/R-AUD
 A003 BR-AV_MATRIX-01
 A003 BR-I/F-01>L/R-AUD
 A003 BR-AV_MATRIX-01
 DRk:21

A004 BR-I/F-02>L/R-AUD
 A004 BR-AV_MATRIX-01
 A004 BR-I/F-02>L/R-AUD
 A004 BR-AV_MATRIX-01
 DRk:21

A004 BR-I/F-02>L/R-AUD
 A004 BR-AV_MATRIX-01
 A004 BR-I/F-02>L/R-AUD
 A004 BR-AV_MATRIX-01
 DRk:21

A005 BR-OFE_PC-01>Aud
 A005 BR-AV_MATRIX-01
 A005 BR-OFE_PC-01>Aud

A005 BR-OFE_PC-01>Aud
 A005 BR-AV_MATRIX-01
 A005 BR-OFE_PC-01>Aud

A006 Sheath
 A006 Sheath

A006 Sheath
 A006 Sheath

**DRAWING NOTES:
 VIDCAD'S LABEL PROGRAM WORKS DIRECTLY WITH MANY POPULAR LABEL MACHINES
 PLUS LASER OR DOT MATRIX PRINTERS**

1. VIDCAD'S LABEL CREATION PROGRAM CREATES LABELS EASILY & QUICKLY, WITH NO TYPING. THE FORMAT IS COMPLETELY CUSTOMIZABLE, AS IS THE FILTERING & PRINT ORDER OF THE LABELS. THE SELECTION OF FIELDS FROM THE CABLE TABLE VIEW ALLOWS YOU TO PLACE THE CRITICAL INSTALL & MAINTENANCE DATA ON THE LABEL
2. VIDCAD ACCOUNTS FOR THE PRINT AREA, BLANK SPACE AND MARGINS
3. OPTIONALLY, VIDCAD PRINTS THE SHEATH OF A MULTIPAIR CABLE OR CAN PRINT LABELS FOR EACH PAIR



VIDCAD LLC
 2010 EAST LOHMAN AVE
 SUITE 2
 LAS CRUCES, NM, USA 88001
 PROVIDING DESIGN AND MODELING SOFTWARE EXCELLENCE OVER 25 YEARS

COPYRIGHT: VIDCAD LLC 2012

PROJECT: SHOWS.2012

CLIENT NAME and ADDRESS:
 VIDCAD 2012 REDBOOK

4.13.2012 DATE CREATED

SIZE SHEET & DRAWING NAME
 A NEW VIDCAD LABELS
 TA500-004 NEW VIDCAD LABEL UTILITY.DWG

SAVE DATE 4.13.2012
 DRAWN BY: DR. WALTER BLACK, CT

SCALE 1:12
 ALL RIGHTS RESERVED
 SHEET NO. TA500-005

1

2

3

DWG TO PDF.PCS LANDSCAPE
 ANSIS EXPAND A (6.50 X 11.00 INCHES)
 NO YELLOW.CTB
 c:\VidCAD\Projects\vidcad 2012 redbook\TA500-004 NEW VIDCAD LABEL UTILITY.DWG
 4.13.2012
 DR. WALTER BLACK, CT

VidCAD Reporter - BETA VERSION

File Item Tools Help

Reports

- Report 1 - Cable List
- Report 2 - Cable List with Rack Information
- Report 3 - Connector Bill of Materials
- Report 10 - Master Error Log
- Report 5 - Equipment List
- Report 6 - Equipment List with Rack Info
- Report 8 - Equipment Error Log
- Report 9 - Cable Error Log

Labels

Exports

Cable Cut List

04/12/2012

Cable#	CableType	Length	Source + Source Out	Dest + Dest In	Source Cost	Dest Cost
AVS101	_CATx	0	102-DVCR03>SDI_1	100-DVDA03<SDI	B	B
DT01A01	S	0	102-DVDA01>SDI1	100-FK01<A1	B	B
DT01A02	S	0	102-DVDA01>SDI1	100-FK01<A2	B	B
DT01A03	CAT_6	0	102-DVDA02>SDI1	100-FK01<A3	B	B
DT01A04	CAT_6	0	102-DVDA02>SDI2	100-FK01<A4	B	B
DT01A05	CAT_6	0	102-DVDA03>SDI2	100-FK01<A5	B	B
DT01A06	CAT_6	0	102-DVDA04>SDI1	100-FK01<A6	B	B
DT01A07	CAT_6	0	102-DVDA04>SDI2	100-FK01<A7	B	B
DT01A08	CAT_6	0	102-DVDA05>SDI1	100-FK01<A8	B	B
DT01A09	CAT_6	0	102-DVDA05>SDI2	100-FK01<A9	B	B
DT01A10	CAT_6	0	102-DVDA06>SDI1	100-FK01<A10	B	B
DT01A11	CAT_6	0	102-DVDA06>SDI2	100-FK01<A11	B	B
DT01A12	CAT_6	0	102-DVDA07>SDI1	100-FK01<A12	B	B
DT01A13	CAT_6	0	102-DVDA07>SDI2	100-FK01<A13	B	B
DT01A14	S	0	102-DVDA08>SDI1	100-FK01<A14	B	B
DT01A15	S	0	102-DVDA08>SDI2	100-FK01<A15	B	B
DT01A16	S	0	102-DVDA09>SDI1	100-FK01<A16	B	B
DT01A17	S	0	102-DVDA09>SDI2	100-FK01<A17	B	B
DT01A18	S	0	102-DVDA10>SDI1	100-FK01<A18	B	B
DT01A19	S	0	102-DVDA10>SDI2	100-FK01<A19	B	B
DT01B25	3271	0	102-FK01>B25	100-PRODSW01<Export01	B	B
DT01B26	3271	0	102-FK01>B26	SALSA-RTR01<DGV001	B	B
DT01B28	3271	0	102-FK01>B28	SALSA-RTR01<DGV002	B	B
DT01B29	3271	0	102-FK01>B29	100-PRODSW01<Export05	B	B
DT01B30	3271	0	102-FK01>B30	100-PRODSW01<Export04	B	B
DT01B31	3271	0	102-FK01>B31	SALSA-RTR01<DGV003	B	B
DT01B32	3271	0	102-FK01>B32	100-PRODSW01<Export05	B	B
DT01B33	3271	0	102-FK01>B33	SALSA-RTR01<DGV004	B	B

Page 1 of 5

Version 1.0

Page 1 of 5 Sort Filter Update Preview

DRAWING NOTES:

1. SELECT THE LABEL YOU WANT TO USE
2. EXPORT A LABEL OR REPORT TO GRID TO EXCEL OR TEXT
3. VIEW THE REPORT PREVIEW
4. CREATE FILTERS AS NEEDED TO INCLUDE THE CABLES YOU WANT (E.G., ALL CABLES EDITED WITHIN DATE RANGE OR CABLES IN A ROOM OR RACK)
5. PRINT TO LABEL PRINTER OR PDF

VidCAD

VIDCAD LLC
 2010 EAST LOHMAN AVE
 SUITE 2
 LAS CRUCES, NM, USA 88001
 PROVIDING DESIGN AND MODELING SOFTWARE EXCELLENCE OVER 25 YEARS

COPYRIGHT: VIDCAD LLC 2012

PROJECT: SHOWS.2012

CLIENT NAME and ADDRESS:
 VIDCAD 2012 REDBOOK

4.13.2012 DATE CREATED

SIZE SHEET & DRAWING NAME
 A NEW VIDCAD REPORT UTILITY
 TA500-004 NEW VIDCAD LABEL UTILITY.DWG


SAVE DATE 4.13.2012 DRAWN BY: DR. WALTER BLACK, CT SCALE 1:12 ALL RIGHTS RESERVED SHEET NO. TA500-006

Cable Cut List



04/12/2012

Cable #	Cable Type	Length	Source + Source Out	Dest + Dest In	Source Conn	Dest Conn
AVS101	_CATx	0	102-DVCR03>SDI_1	102-DVDA03<SDI	B	B
DT01A01	\$	0	102-DVDA01>SDI1	102-JK01<A1	B	B
DT01A02	\$	0	102-DVDA01>SDI2	102-JK01<A2	B	B
DT01A03	CAT_6	0	102-DVDA02>SDI1	102-JK01<A3	B	B
DT01A04	CAT_6	0	102-DVDA02>SDI2	102-JK01<A4	B	B
DT01A05	CAT_6	0	102-DVDA03>SDI2	102-JK01<A5	B	B
DT01A06	CAT_6	0	102-DVDA04>SDI1	102-JK01<A6	B	B
DT01A07	CAT_6	0	102-DVDA04>SDI2	102-JK01<A7	B	B
DT01A08	CAT_6	0	102-DVDA05>SDI1	102-JK01<A8	B	B
DT01A09	CAT_6	0	102-DVDA05>SDI2	102-JK01<A9	B	B
DT01A10	CAT_6	0	102-DVDA06>SDI1	102-JK01<A10	B	B
DT01A11	CAT_6	0	102-DVDA06>SDI2	102-JK01<A11	B	B
DT01A12	CAT_6	0	102-DVDA07>SDI1	102-JK01<A12	B	B
DT01A13	CAT_6	0	102-DVDA07>SDI2	102-JK01<A13	B	B
DT01A14	\$	0	102-DVDA08>SDI1	102-JK01<A14	B	B
DT01A15	\$	0	102-DVDA08>SDI2			
DT01A16	\$	0	102-DVDA09>SDI1			
DT01A17	\$	0	102-DVDA09>SDI2			
DT01A18	\$	0	102-DVDA10>SDI1			
DT01A19	\$	0	102-DVDA10>SDI2			
DT01B25	3271	0	102-JK01>B25			

		VIDCAD LLC 2010 EAST LOHMAN AVE SUITE 2 LAS CRUCES, NM, USA 88001 PROVIDING DESIGN AND MODELING SOFTWARE EXCELLENCE OVER 25 YEARS	
COPYRIGHT: VIDCAD LLC 2012 PROJECT: SHOWS.2012		CLIENT NAME and ADDRESS: VIDCAD 2012 REDBOOK	
4.13.2012	DATE CREATED	SIZE	SHEET & DRAWING NAME
		A	NEW VIDCAD CABLE CUTLIST REPORT
			TA500-004 NEW VIDCAD LABEL UTILITY.DWG
SAVE DATE 4.13.2012	DRAWN BY: DR. WALTER BLACK, CT	SCALE 1:12	ALL RIGHTS RESERVED
			SHEET NO. TA500-007

DWG TO PDF.PC3 LANDSCAPE
 ANSI EXPAND A (8.50 X 11.00 INCHES)
 NO YELLOW.CTB
 c:\VidCAD\Projects\vidcad 2012 redbook\TA500-004 NEW VIDCAD LABEL UTILITY.DWG
 4.13.2012
 DR. WALTER BLACK, CT

ANSI EXPAND A (8.50 X 11.00 INCHES)
LANDSCAPE

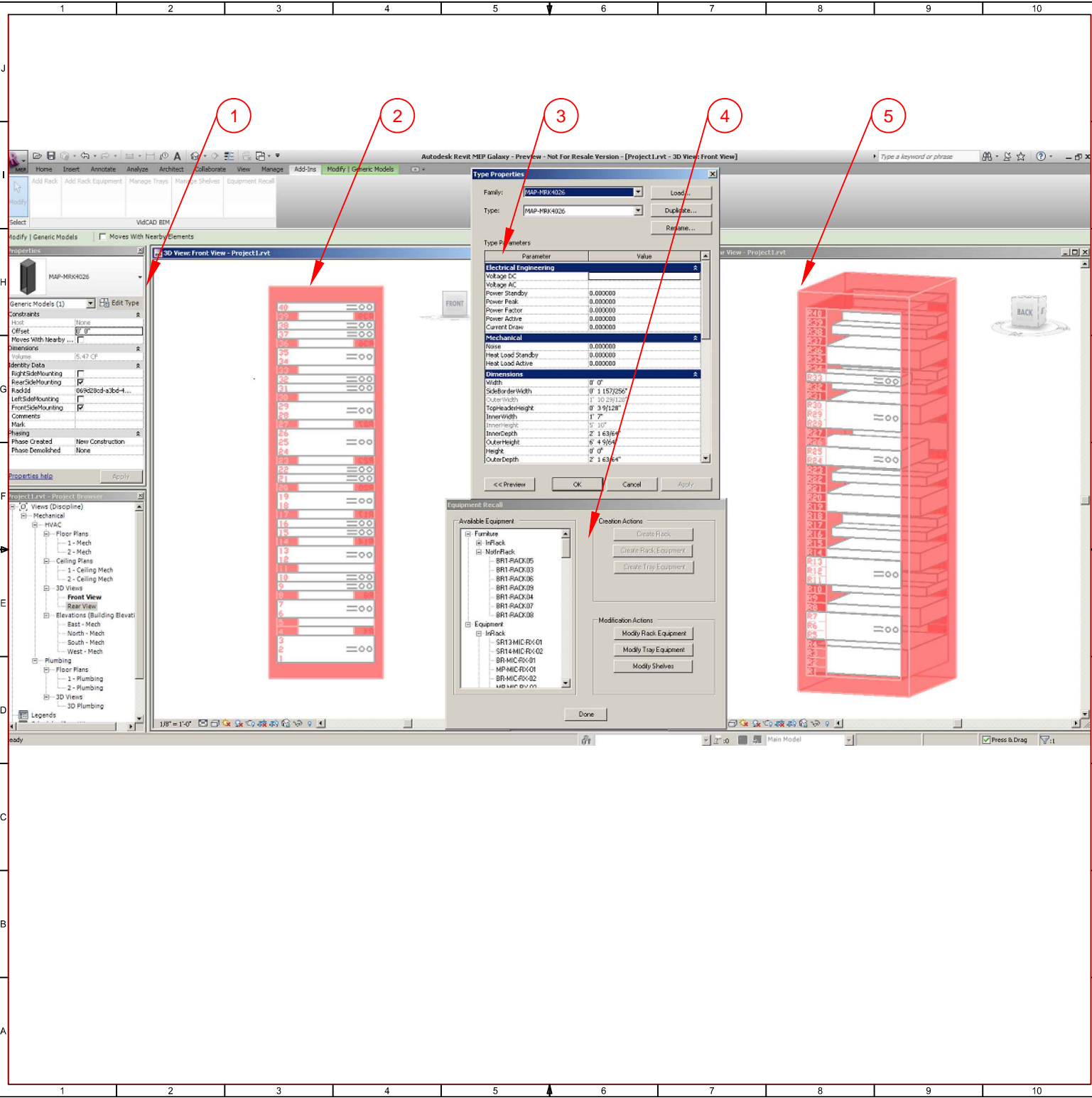
NO YELLOW,CTB

DWG TO PDF.FCS

c:\VidCAD\Projects\vidcad 2012 redbook\TA101-003 VIDCAD BIM FLOOR PLAN SAMPLE.DWG REDBOOK

4.3.2012

DR. WALTER BLACK, CT



VIDCAD LLC
2010 EAST LOHMAN AVE
SUITE 2
LAS CRUCES, NM, USA 88001
PH: (800) VIDCAD-6 OR (575) 522-0003 FAX: (575) 635-4518
PROVIDING DESIGN AND MODELING
SOFTWARE EXCELLENCE OVER 25 YEARS

- DRAWING NOTES:**
1. REVIT FAMILY PROPERTIES CONTROL MENU
 2. FRONT VIEW OF VIDCAD BIM RACK IN REVIT, INCLUDING ALL FAMILIES INSERTED IN THE RACK
 3. FAMILY PROPERTIES DETAILS
 4. VIDCAD EQUIPMENT VALIDATION TOOL (VIDCAD BIM WILL NOT ALLOW ANY EQUIPMENT TO BE PLACED WHICH DOES NOT HAVE THE ESSENTIAL PROPERTIES ENTERED IN VIDCAD SPECIFICATION TABLE
 5. REAR VIEW OF VIDCAD BIM RACK IN REVIT. NOTE SOME EQUIPMENT IS REAR MOUNTED

REV	DATE	DESCRIPTION
	4.3.2012	DATE CREATED
REV 1	4.4.2012	ADDED DETAILS LAYOUTS
REV 2	4.9.2012	ADDED DRAWING NOTES
	4.13.2012	DATE SAVED
	4.13.2012	DATE PLOTTED

PROJECT NO: SHOWS.2012
FACILITY NAME:
VIDCAD 2012 REDBOOK

PROJ PHASE: FINAL
MILESTONE: 4.15.2012
APPROVED: JANINE SOTELO, CEO
DRAWN BY: DR. WALTER BLACK, CT
CHECKED BY: DR. WALTER BLACK, CT
COPYRIGHT: VIDCAD LLC 2011

SHEET NAME:
VIDCAD BIM EQUIPMENT
ENTRY FORM

CAD DWG FILE:
TA101-003 VIDCAD BIM FLOOR PLAN
SAMPLE.DWG

SHEET NUMBER:
TA201-004

DRAWING NOTES:
 CONCEPT DRAWING SHOWS
 OVERALL SIGNAL FLOW IN
 EASY-TO-READ FORMAT.

1. 250 NEW CONTEMPORARY VISUALIZED EQUIPMENT ICONS
2. NEW DRAWING BORDERS & BRACKETS
3. THREE AVAILABLE COMMENT FIELDS WHICH CAN BE ANY DATABASE FIELDS. THIS DRAWING USES:
 - a) DESCRIPTION FIELD
 - b) COMMENT FIELD
 - c) RACK & RU# FIELD
4. CONFIGURABLE SIGNAL FLOW LINEWIDTH AND ARROW

DRAWING COURTESY OF PETER BLACKMORE
 AVDEC PTY LTD, DARLINGHURST AUSTRALIA

REV	DATE	DESCRIPTION
	4.2.2012	DATE CREATED
REV 1	4.3.2012	ADDED NEW MARKUP BORDERS TO THE DRAWING
REV 2	4.9.2012	ADDED DRAWING NOTES
	4.13.2012	DATE SAVED
	4.13.2012	DATE PLOTTED

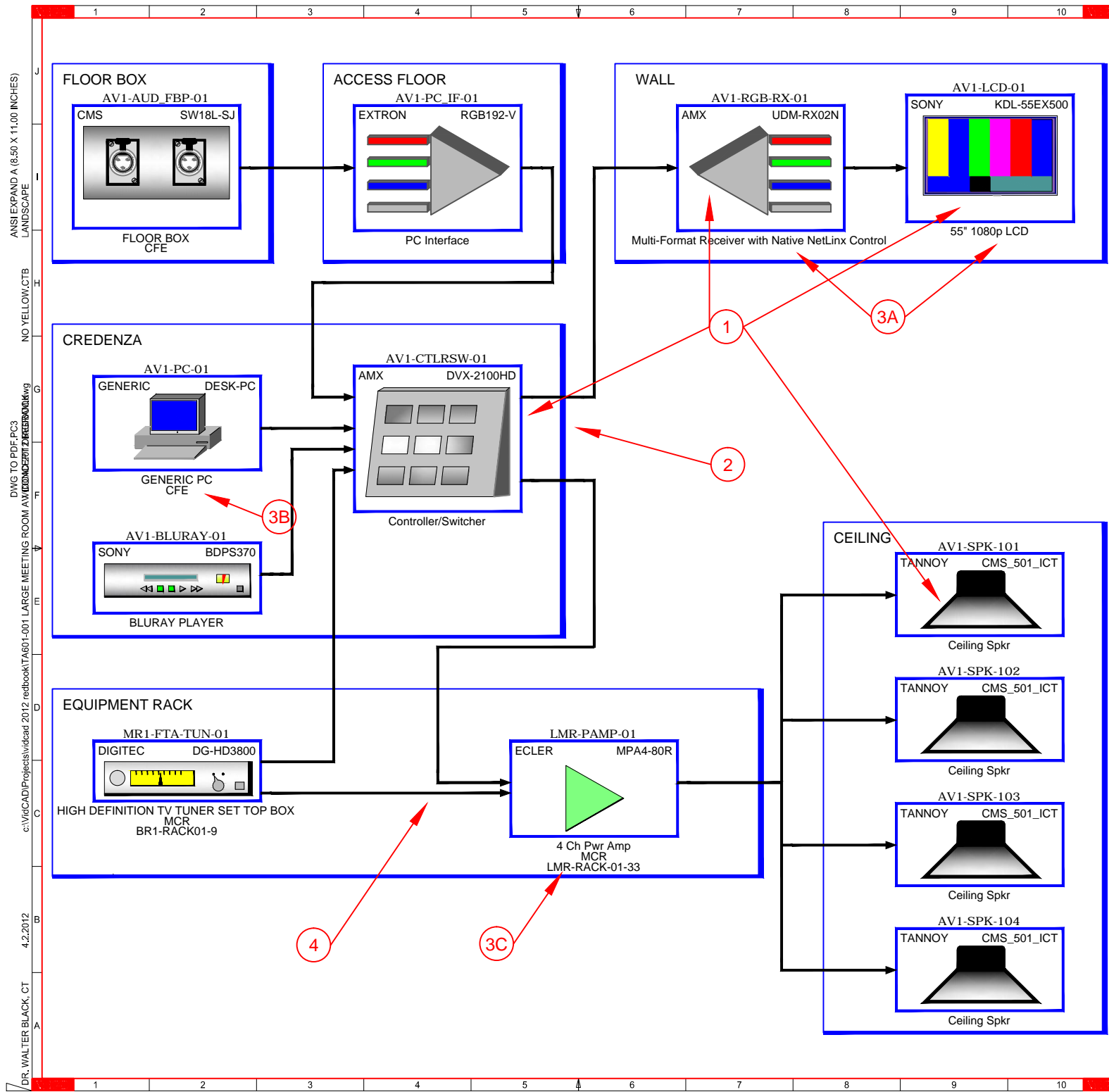
PROJECT NO: SHOWS.2012
 FACILITY NAME:
 VIDCAD 2012 REDBOOK

PROJ PHASE: FINAL
 MILESTONE: 4.15.2012
 APPROVED: JANINE SOTELO, CEO
 DRAWN BY: DR. WALTER BLACK, CT
 CHECKED BY: DR. WALTER BLACK, CT
 COPYRIGHT: VIDCAD LLC 2012
 SHEET NAME:

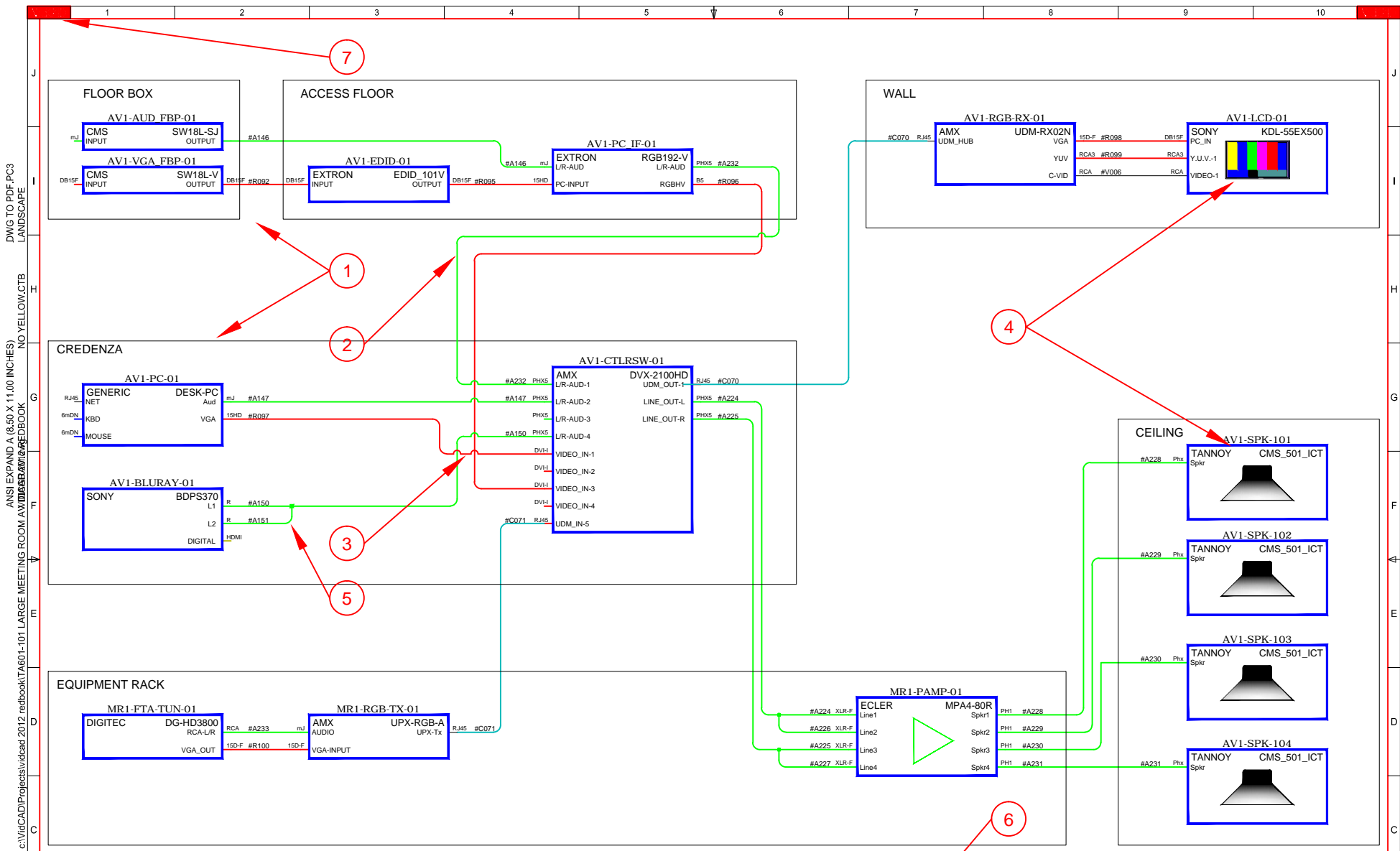
**LARGE MEETING ROOM AV
 CONCEPT DIAGRAM**

CAD DWG FILE:
 TA601-001 LARGE MEETING ROOM AV
 CONCEPT DIAGRAM.DWG

SHEET NUMBER:
TA601-001



DR. WALTER BLACK, CT
 4.2.2012
 c:\vidcad\Projects\vidcad 2012 redbook\TA601-001 LARGE MEETING ROOM AV\VIDCAD\PROJECTS\VIDCAD\VIDCAD.dwg
 NO YELLOW,CTB
 ANSI EXPAND A (8.50 X 11.00 INCHES)
 LANDSCAPE
 DIVG TO PDF.PC3



DRAWING NOTES:

1. NEW MARKUP BORDERS AND BRACKETS PROVIDE CLARITY
2. NEW CABLE FILLET (OR CHAMFER)
3. NEW CABLE JUMP WHEN CABLES ARE CROSSING
4. EXTENSIVE NEW SHADED EQUIPMENT ICONS PROVIDE MORE CONTEMPORARY VISUAL STYLE
5. CABLE BRIDGING (SUPPORTS UP TO 35 BRIDGES PER SOURCE CABLE)
6. AUTOMATED CHANGING COMPANY AND CLIENT LOGOS WITH 1 CLICK
7. AUTOMATED CHANGING OF BORDER LOGO WITH 1 CLICK



VIDCAD LLC

2010 EAST LOHMAN AVE
SUITE 2
LAS CRUCES, NM, USA 88001
PROVIDING DESIGN AND MODELING SOFTWARE EXCELLENCE OVER 25 YEARS

COPYRIGHT: VIDCAD LLC 2011

PROJECT: VIDCAD 2012 REDBOOK		VIDCAD 2012 REDBOOK	
7.10.2011	DATE CREATED	DRAWING COURTESY OF PETER BLACKMORE AVDEC PTY LTD., DARLINGHURST AUSTRALIA	
4.4.2012	REVISED SHEET LAYOUT	SIZE A	SHEET & DRAWING NAME LARGE MEETING ROOM AV DIAGRAM
4.9.2012	ADDED DRAWING NOTES	TA601-101 LARGE MEETING ROOM AV DIAGRAM.DWG	
SAVE DATE 4.12.2012	DRAWN BY: DR. WALTER BLACK, CT	SCALE 1:12	ALL RIGHTS RESERVED SHEET NO. TA601-101

DWG TO PDF.PCS
LANDSCAPE

NO YELLOW,CTB

ANSI EXPAND A (6.50 X 11.00 INCHES)
AVI/DIGITAL/REDBOOK

c:\VidCAD\Projects\videad 2012 redbook\TA601-101 LARGE MEETING ROOM AV DIAGRAM\REDBOOK

7.10.2011

DR. WALTER BLACK, CT

ANSI EXPAND A (8.50 X 11.00 INCHES)
LANDSCAPE

NO YELLOW,CTB

DWG TO PDF.PC3
AV1-PC-01-REDRAW

AV1-PC-01-REDRAW

D

C

4.2.2012

DR. WALTER BLACK, CT



VIDCAD LLC
2010 EAST LOHMAN AVE
SUITE 2
LAS CRUCES,NM,USA 88001
PH:(800) VIDCAD-6 OR (575) 522-0003 FAX:(575) 635-4518
PROVIDING DESIGN AND MODELING
SOFTWARE EXCELLENCE OVER 25 YEARS

DRAWING NOTES:

1. INTERCONNECT DRAWINGS ARE CREATED INSTANTLY FROM THE CABLE & EQUIPMENT DATABASE.

1. INTERCONNECT DRAWINGS MAKE TROUBLE-SHOOTING EASY BY CREATING A DIAGRAM OF THE SIGNAL FLOW IN AND OUT OF ANY PIECE OF EQUIPMENT

A TYPICAL PIECE MAY BE ON VIDEO, AUDIO, CONTROL AND POWER DRAWINGS. INTERCONNECT ALLOWS VIEWING ALL I/OS IN A UNIFIED VIEW

2. NEW RED OR BLUE REVISION CLOUDS AUTOMATICALLY SETUP FOR DIAGRAM SCALES & ARE PLACED ON REVISION CLOUD LAYER

DRAWING COURTESY OF PETER BLACKMORE
AVDEC PTY LTD, DARLINGHURST AUSTRALIA

REV	DATE	DESCRIPTION
	4.2.2012	DATE CREATED
REV 1	4.4.2012	CREATED INTERCONNECT TROUBLESHOOTING GUIDE
REV 2	4.9.2012	ADDED DRAWING NOTES
	4.12.2012	DATE SAVED
	4.13.2012	DATE PLOTTED

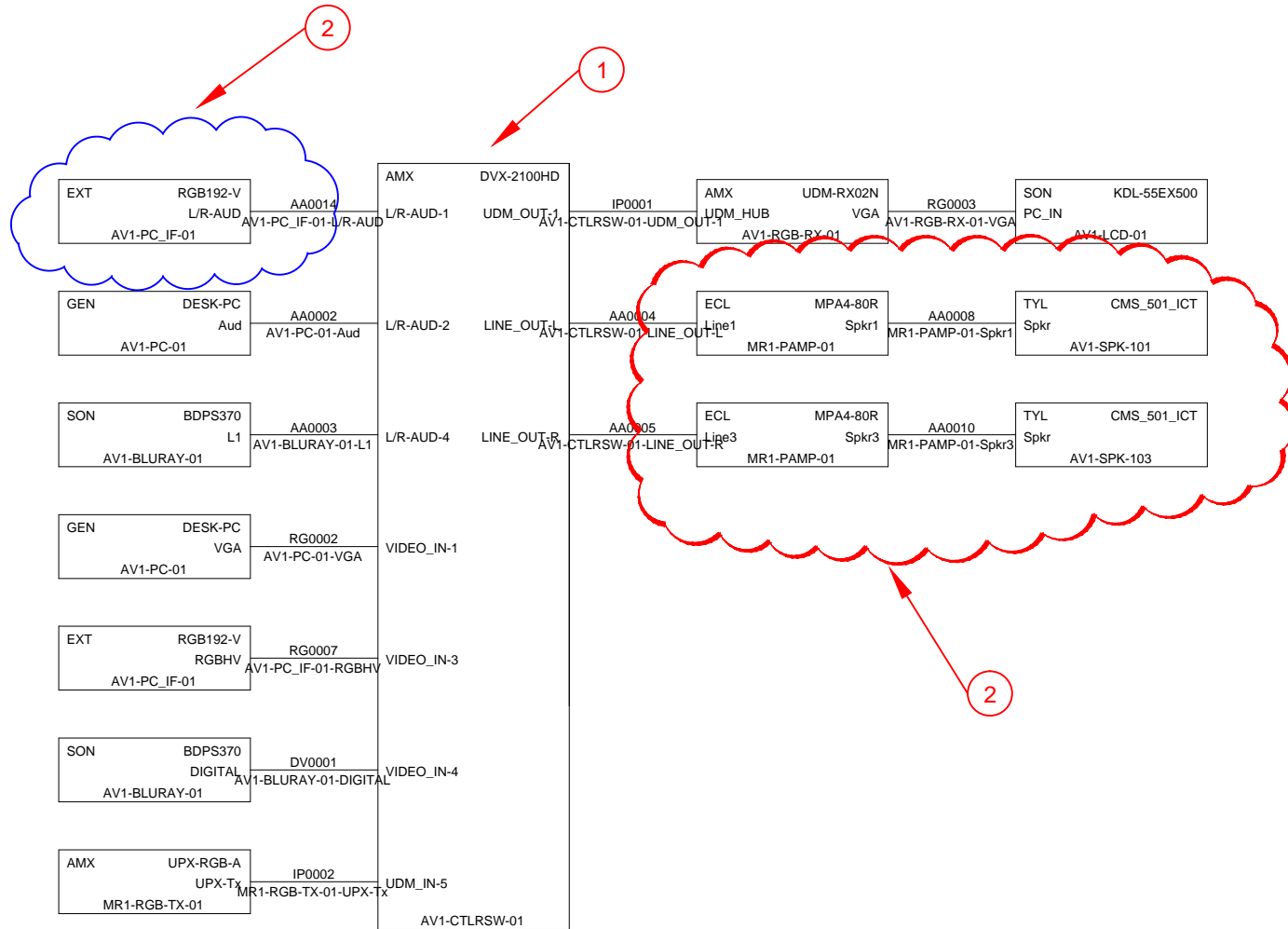
PROJECT NO: SHOWS.2012
FACILITY NAME:
VIDCAD 2012 REDBOOK

PROJ PHASE: FINAL
MILESTONE: 4.15.2012
APPROVED: JANINE SOTELO, CEO
DRAWN BY: DR. WALTER BLACK, CT
CHECKED BY: DR. WALTER BLACK, CT
COPYRIGHT: VIDCAD LLC 2012

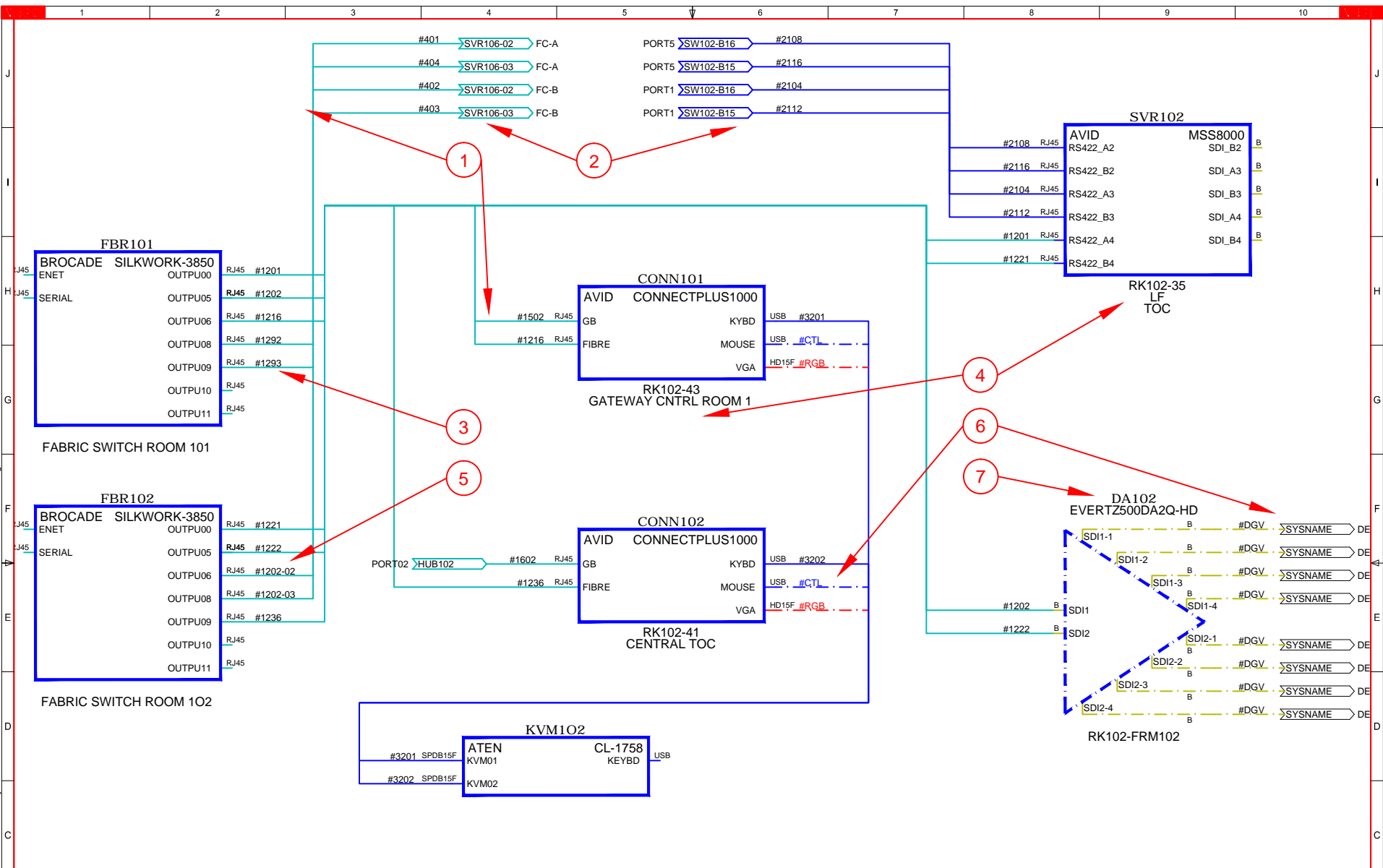
SHEET NAME:
LARGE MEETING ROOM AV
INTERCONNECT

CAD DWG FILE:
TA601-102 LARGE MEETING ROOM AV
INTERCONNECT.DWG

SHEET NUMBER:
TA601-102



DWG TO PDF.PC3 LANDSCAPE
 ANSI EXPAND A (6.50 X 11.00 INCHES)
 NO YELLOW.CTB
 c:\VidCAD\Projects\videad 2012 redbook\TA602-103 BROADCAST SERVER DIAGRAM.dwg
 4.11.2012
 DR. WALTER BLACK, CT



DRAWING NOTES:

1. AUTOMATED CABLE BUSSING SUPPORTED, WITH CABLE NUMBERS ON BOTH ENDS
2. FEATHER TO REFERENCE EQUIPMENT OFF THE DRAWING BUT IN PROJECT
3. CABLE NUMBERS MAY BE ALPHANUMERICAL UP TO 15 CHARACTERS, WITH AUTOMATIC NEXT NUMBERING, PLUS OPTION FOR NUMBERS BY SIGNAL TYPES OR ALL SEQUENTIAL
4. UP TO 3 CUSTOMIZABLE & AUTOMATICALLY POPULATED COMMENTS FIELDS LINKED TO THE EQUIPMENT DATABASE TABLES
5. MULTIPAIR CABLES SUPPORTED UP TO 999 PAIRS PER CABLE, PAIRS CATEGORIZED BY NUMBERS OR COLOR CODES
6. PHANTOM CABLES & FEATHERS USED TO PLAN DRAWING BEFORE COMMITTING TO THE DATABASE FOR FINAL NUMBERING
7. PHANTOM EQUIPMENT WITH PHANTOM NAMING, WHICH CAN BE IMPORTED TO DATABASE



VIDCAD LLC

2010 EAST LOHMAN AVE
 SUITE 2
 LAS CRUCES, NM, USA 89001
 PROVIDING DESIGN AND MODELING SOFTWARE EXCELLENCE OVER 25 YEARS

COPYRIGHT: VIDCAD LLC 2012

PROJECT: VIDCAD 2012 REDBOOK		VIDCAD 2012 REDBOOK	
4.4.2012	DATE CREATED	SIZE A	SHEET & DRAWING NAME BROADCAST SERVER DIAGRAM
4.4.2012	REVISED SHEET LAYOUT		
4.9.2012	ADDED DRAWING NOTES		
SAVE DATE: 4.13.2012	DRAWN BY: DR. WALTER BLACK, CT	SCALE: 1:12	ALL RIGHTS RESERVED
		SHEET NO. TA602-103	

DRAWING NOTES:

1. NEW ENHANCED CONNECTOR ICONS. CONNECTOR DETAILING MAKES INSTALLATION AND MAINTENANCE EASIER, ESPECIALLY FOR LESS EXPERIENCED PERSONNEL
2. CONNECTOR DETAIL ATTRIBUTE FOR ENTERING KEY PINOUT INFORMATION
3. WIPEOUT MASKING TO MAKE CONNECTOR STAND OUT ON THE DRAWING
4. PROTOCOL SIGNAL LINETYPE OPTIONS TO DISTINGUISH DIFFERENT SIGNALS
5. NEW BORDERS & BRACKETS FOR HIGHLIGHTING OR DISTINGUISHING GROUPS OF EQUIPMENT & CABLES

DRAWING COURTESY OF PETER BLACKMORE
 AVDEC PTY LTD, DARLINGHURST AUSTRALIA

REV	DATE	DESCRIPTION
	4.4.2012	DATE CREATED
REV 1	4.8.2012	UPDATED CONNECTORS TO NEW FORMAT
REV 2	4.10.2012	ADD DRAWING NOTES
	4.10.2012	DATE SAVED
	4.13.2012	DATE PLOTTED

PROJECT NO: SHOWS.2012
 FACILITY NAME:
 VIDCAD 2012 REDBOOK

PROJ PHASE: FINAL
 MILESTONE: 4.15.2012
 APPROVED:
 DRAWN BY: Dr. Walter Black
 CHECKED BY:
 COPYRIGHT: VidCAD LLC 2012
 SHEET NAME:

**LARGE MEETING ROOM
 CONTROL SCHEMATIC**

CAD DWG FILE:
 TA602-602 LARGE MEETING ROOM CONTROL SCHEMATIC.dwg

SHEET NUMBER:
TA602-102

ANSI EXPAND A (8.50 X 11.00 INCHES)
 LANDSCAPE

NO YELLOW,CTB

DWG TO PDF.PC3
 c:\VidCAD\Projects\vidcad 2012 redbook\TA602-102 LARGE MEETING ROOM CONTROL SCHEMATIC.dwg

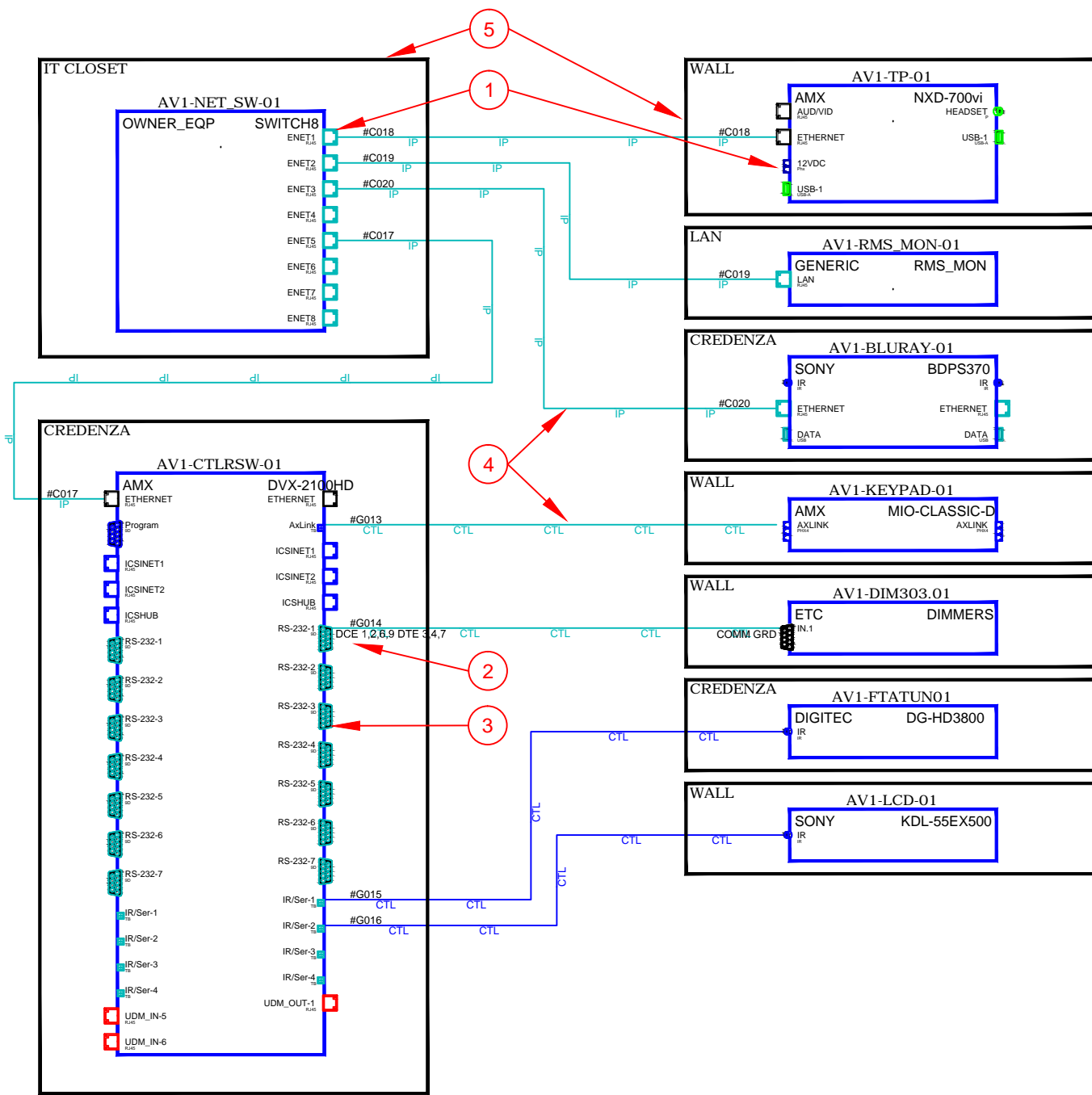
D

C

B

A

walter



DWG TO PDF.PC3
LANDSCAPE

ANSI EXPAND A (8.50 X 11.00 INCHES)
VIDCAD 2012 REDBOOK
NO YELLOW.CTB

ANSI EXPAND A (8.50 X 11.00 INCHES)
VIDCAD 2012 REDBOOK
NO YELLOW.CTB

c:\VidCAD\Projects\vidcad 2012 redbook\TITLE PAGE.dwg



VidCAD General Notes

DRAWING NOTES:

RENDERING COURTESY OF AUTODESK
REVIT 2012 SAMPLE MODELS

No.	Revision/Issue	Date

FIRM NAME & ADDRESS:

VidCAD

VidCAD LLC
2010 EAST LOHMAN AVE
SUITE 2
LAS CRUCES NM 88001 USA
(800) VidCAD-8 or (575) 522-0003
PROVIDING DESIGN AND MODELING
SOFTWARE EXCELLENCE OVER 25 YEARS

VidCAD LLC 2011

PROJECT NAME & ADDRESS:

VidCAD 2012 REDBOOK

Project
SHOWS: 2012
4/12/2012
4/12/2012
Plotted: 4.13.2012
Dr. Walter Black
DR. WALTER BLACK, CT
Phase: FINAL
MStone: 4.15.2012

Sheet
TA901-001 3D
RENDERING OF
PROJECT

SHEET NUMBER:
TA00-000

REVIT RENDERING

SCALE: 1'-1 33/64" = 1'-0"

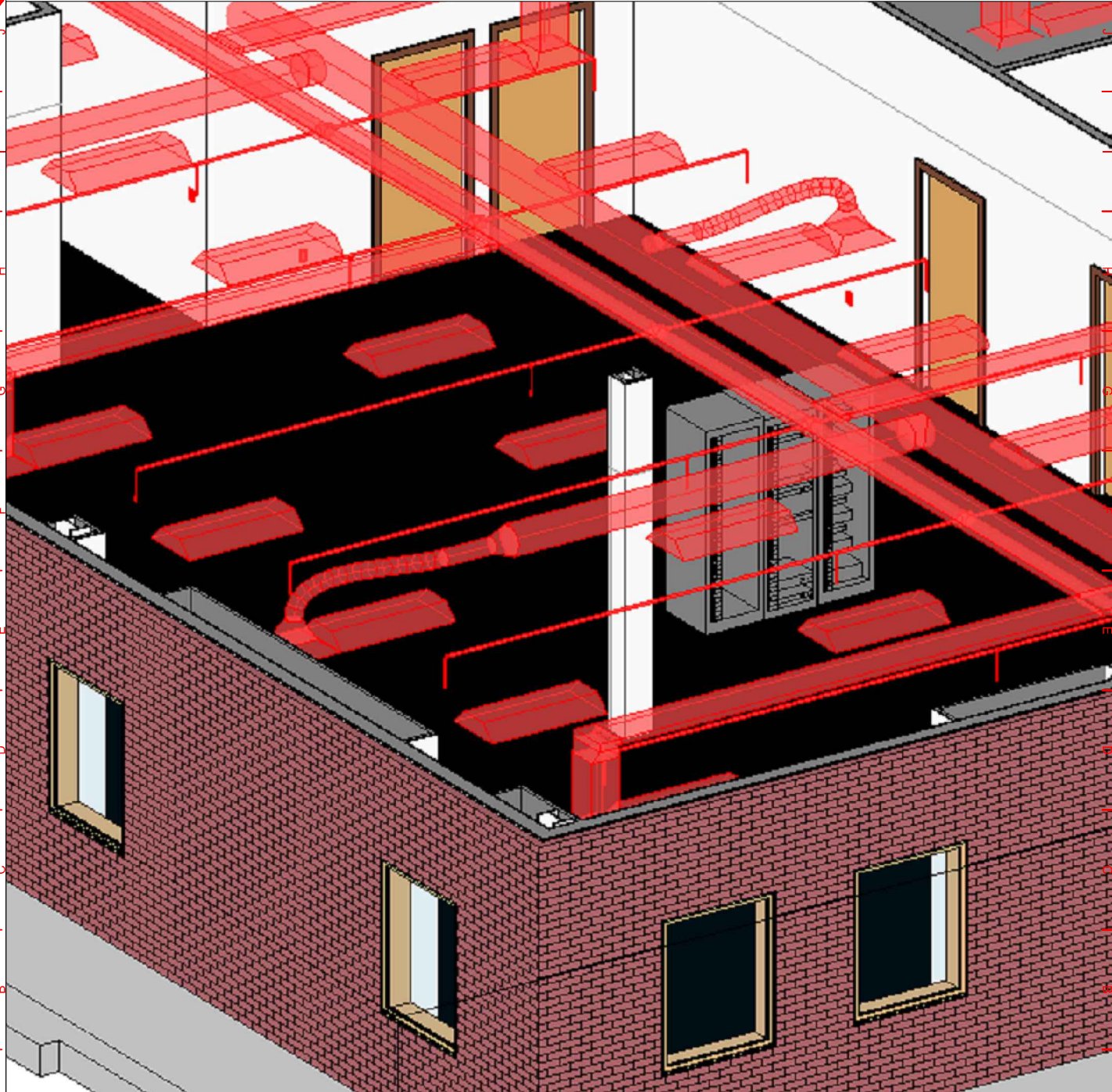


DWG TO PDF.PC3
LANDSCAPE

ANSI EXPAND A (8.50 X 11.00 INCHES)
VIDCAD 2012 REDBOOK

NO YELLOW.CTB

c:\VidCAD\Projects\vidcad 2012 redbook\TITLE PAGE.dwg



1

OFFICE EQUIPMENT ROOM(2)

SCALE: 1'-1 143/256" = 1'-0"

VidCAD General Notes

DRAWING NOTES:

- OFFICE BUILDING REVIT MODEL
COURTESY OF buildingSMART ALLIANCE
WITH VIDCAD BIM RACKS

No.	Revision/Issue	Date

FIRM NAME & ADDRESS:

VidCAD

VidCAD LLC
2010 EAST LOHMAN AVE
SUITE 2
LAS CRUCES NM, 88001 USA
(800) VidCAD-8 or (575) 522-0003
PROVIDING DESIGN AND MODELING
SOFTWARE EXCELLENCE OVER 25 YEARS

VidCAD LLC 2011

PROJECT NAME & ADDRESS:

VidCAD 2012 REDBOOK

Project
SHOWS:2012
4/12/2012
4/12/2012
Plotted: 4.13.2012
Dr. Walter Black
DR. WALTER BLACK, CT
Phase: FINAL
MStone: 4.15.2012

Sheet
3D ROOM WITH
VIDCAD
EQUIPMENT
RACKS
SHEET NUMBER:
TA901-002